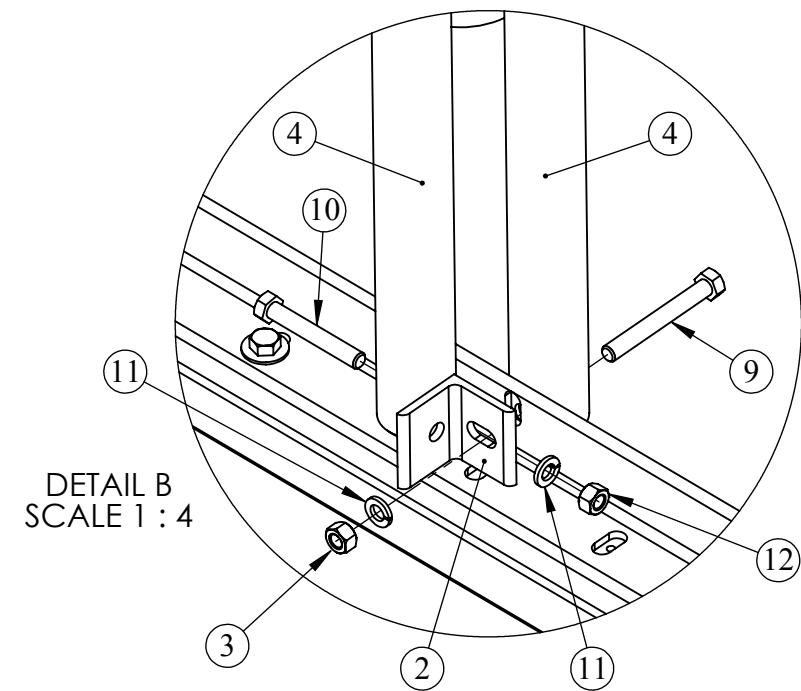
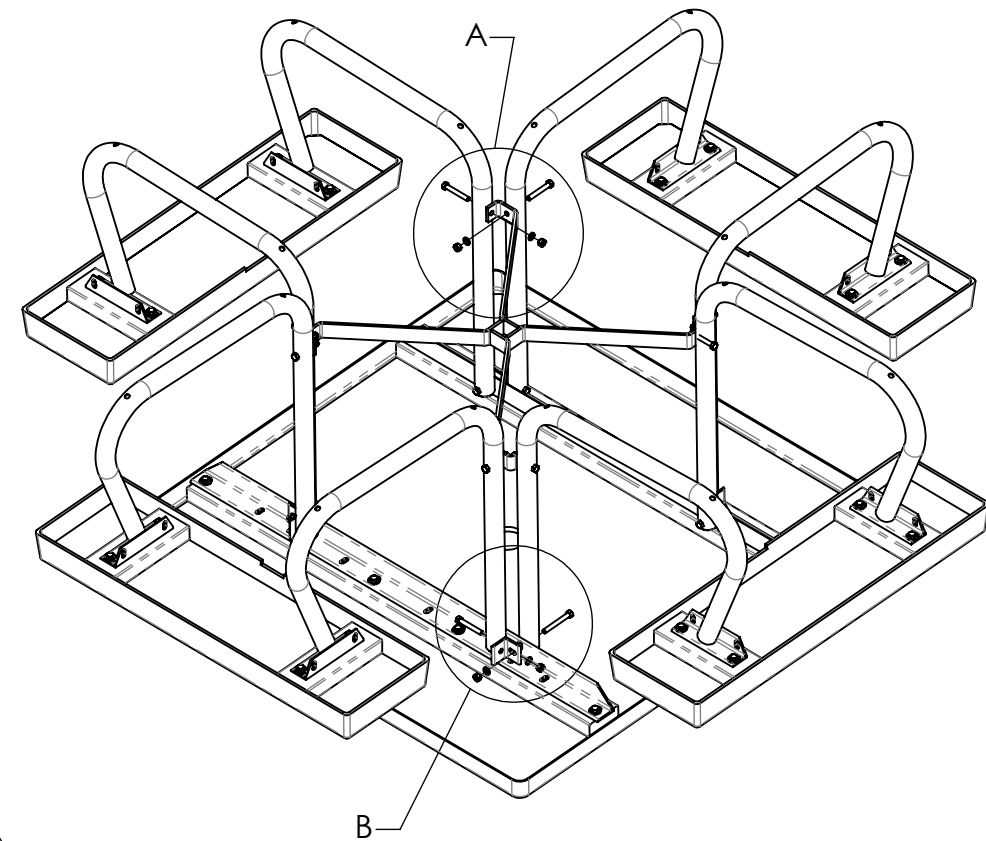
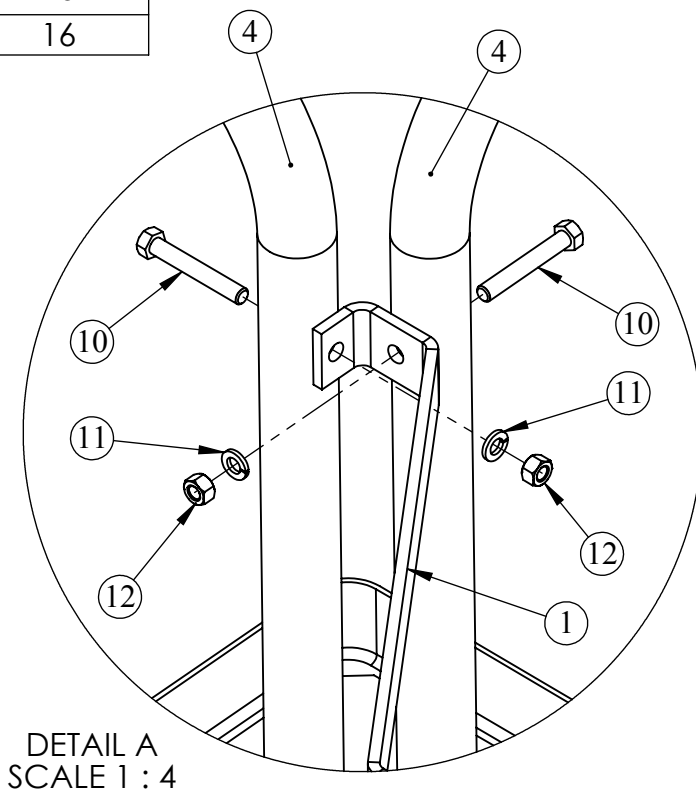


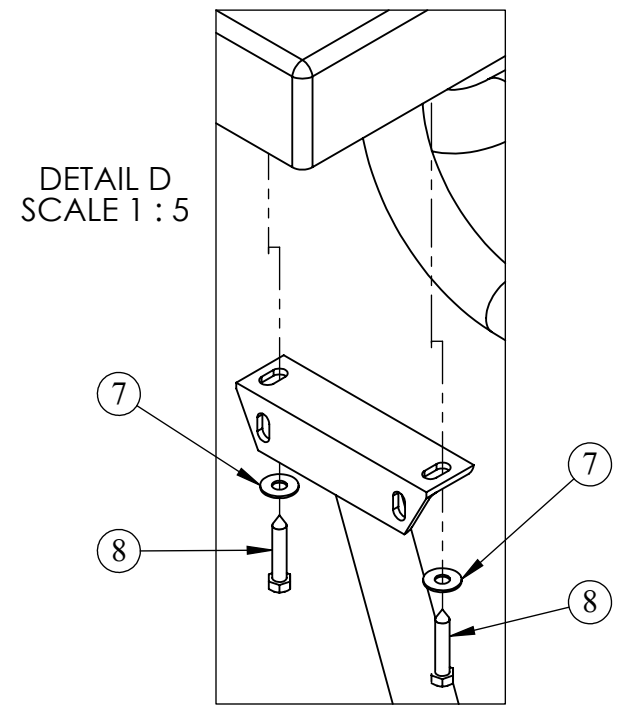
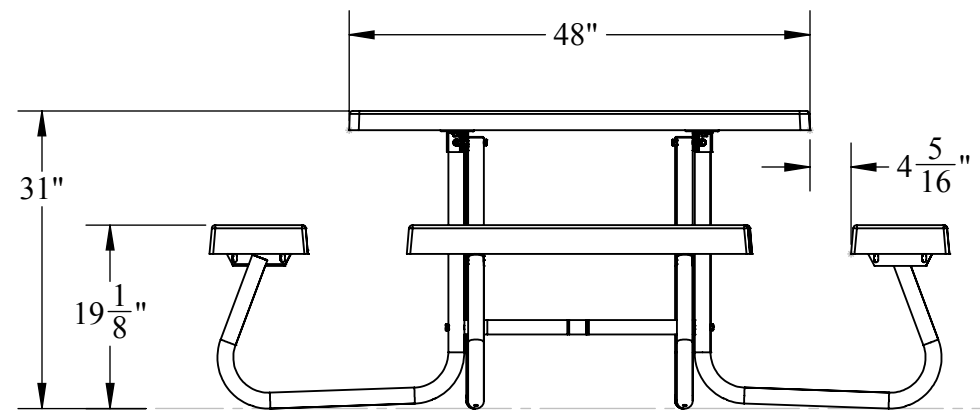
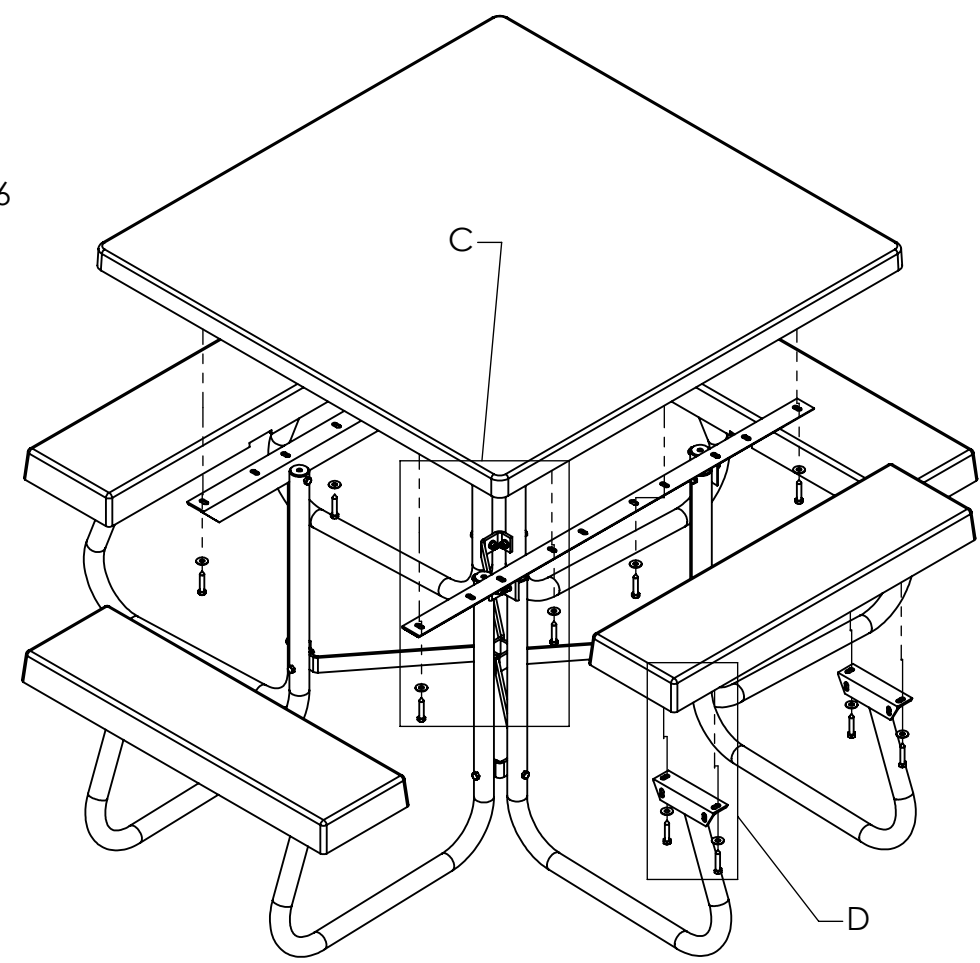
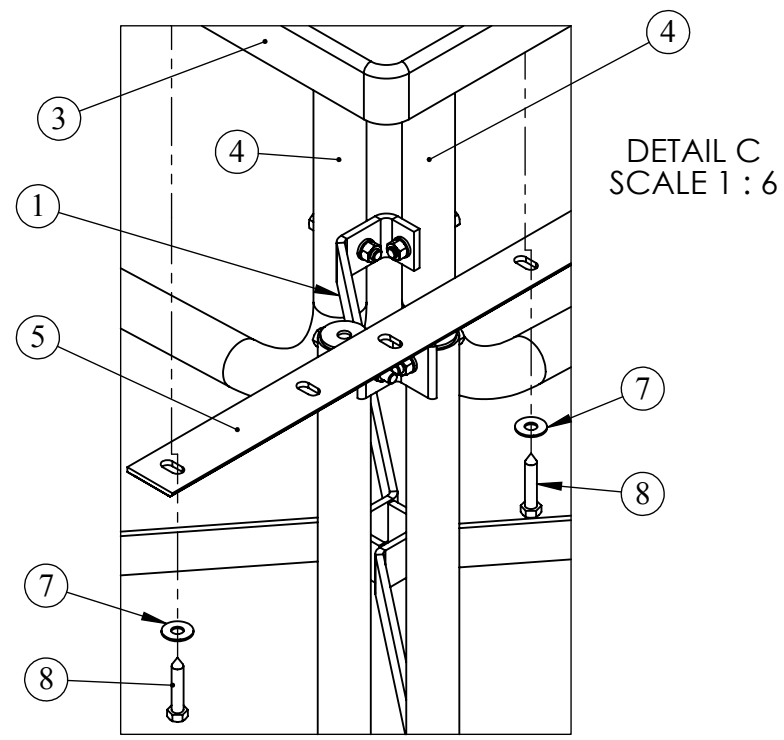
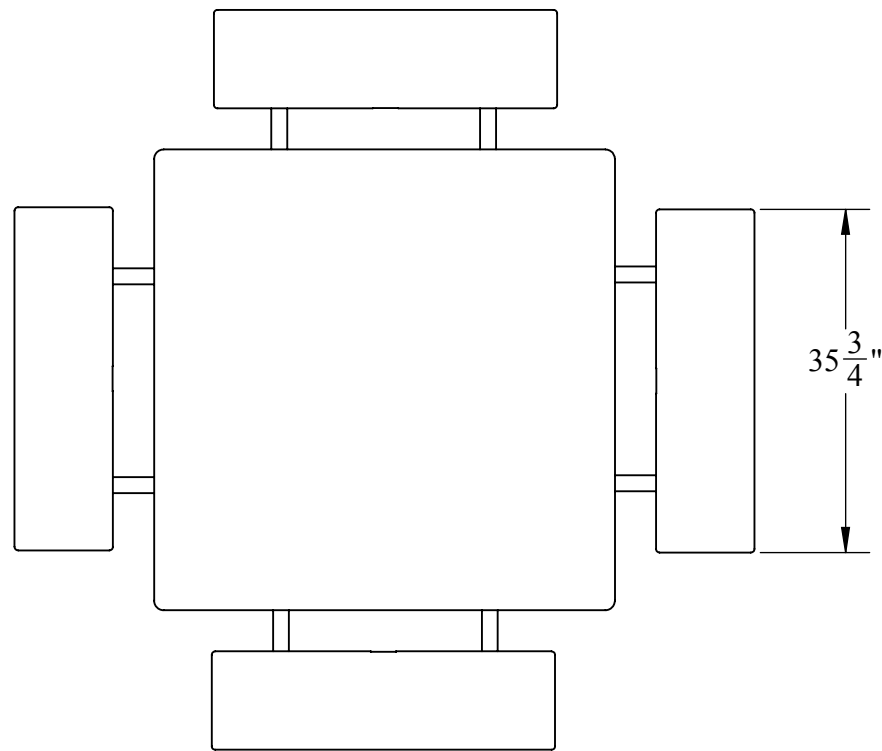
ITEM NO.	PART NUMBER	DESCRIPTION	Fiberglass Top and Seats/QTY.
1	SQ-SA2	SQUARE SPIDER SUB ASSY	1
2	SQ-66	SQ. TOP ATTACHMENT ANGLE	4
3	4SQF-9	48" x 48" SQUARE FIBERGLASS TOP	1
4	RTR-SA1	1 5/8" RTR LEG ASSEMBLY	8
5	SQAW-2	TOP TABLE CLEAT	2
6	No Notch	3' FIBERGLASS SEAT	4
7	Regular FW 0.375	3/8" REGULAR FLAT WASHER	24
8	HLSCREW 0.3750x2	3/8" HEX HEADx 1 1/4" LAG SCREW	24
9	HBOLT 0.3750-16x3x1-N	HEX HEAD BOLT 3/8"-16x 3"	4
10	HBOLT 0.3750-16x2.5x1-N	HEX HEAD BOLT 3/8"-16x 2 1/2"	12
11	Regular LW 0.375	3/8" REG LOCK WASHER	16
12	HNUT 0.3750-16-D-N	HEX NUT 3/8"-16	16

1. Place the Table Top Upside Down on a Relatively Flat Surface Such as the Corrugated Card Board that the Product Came in.
2. Assemble the Table Legs as Shown in **DETAIL A**, Make Sure the 3" Long Hex Head Bolt is Used Where the Slots Line Up. Finger Tighten the Bolts and Nuts at This Time.
3. Next Attach the Spider Cross Bracing to the Bottom Part of the Legs. Start with One Corner Using the 3/8"-16x 2 1/2" Hex Head Bolts, Washers, Lock Washers, and Nuts. Go to the Opposite Corner and Insert That Hardware. Do the same Procedure on the Other Set of Legs. Finger Tighten Hardware. **SEE DETAIL B**
4. Tighten the Nuts and Bolts that are Close to the Table Top First, Make Sure the Legs are Straight Up and Down. Tighten the Nuts and Bolts on the Cross Bracing Next.
5. Turn the Table Right Side Up to Attach the Seats to the Seat Brackets.
SEE SHEET 2 for DETAILS



Confidential Drawing and Information is Not to be Copied or Disclosed to Others Without the Consent of Kay Industries. Specifications Are Subject to Change Without Notice.

GENERAL NOTES:		UNLESS OTHERWISE SPECIFIED:		NAME	DATE	K Industries, Inc.		
DO NOT SCALE DRAWING		DIMENSIONS ARE IN INCHES		DRAWN	DAT	4/5/2016	TITLE:	
		TOLERANCES:		CHECKED			DESC. 4' SQUARE TABLE FIBER GLASS TOP and SEATS	
		FRACTIONAL ± 1/32		ENG APPR.			S:\CADDRWGS\Solidworks\Tables\SJ\	SIZE PART NO.
		BEND ± 1/2°		MFG APPR.				B 4SJCF
		THREE PLACE DECIMAL ± .005		COMMENTS:				REV
MATERIAL		Last Saved	4/5/2016 11:21:42 AM					
SHEET 1 OF 2								



ITEM NO.	PART NUMBER	DESCRIPTION	QTY.
1	SQ-SA2	SQUARE SPIDER SUB ASSY	1
2	SQ-66	SQ. TOP ATTACHMENT ANGLE	4
3	4SQF-9	48" x 48" SQUARE FIBERGLASS TOP	1
4	RTR-SA1	1 5/8" RTR LEG ASSEMBLY	8
5	SQAW-2	TOP TABLE CLEAT	2
6	No Notch	3' FIBERGLASS SEAT	4
7	Regular FW 0.375	3/8" REGULAR FLAT WASHER	24
8	HLSCREW 0.3750x2	3/8" HEX HEADx 1 1/4" LAG SCREW	24
9	HBOLT 0.3750-16x3x1-N	HEX HEAD BOLT 3/8"-16x 3"	4
10	HBOLT 0.3750-16x2.5x1-N	HEX HEAD BOLT 3/8"-16x 2 1/2"	12
11	Regular LW 0.375	3/8" REG LOCK WASHER	16
12	HNUIT 0.3750-16-D-N	HEX NUT 3/8"-16	16

GENERAL NOTES:	UNLESS OTHERWISE SPECIFIED:	NAME	DATE		
	DIMENSIONS ARE IN INCHES TOLERANCES: FRACTIONAL ± 1/32 BEND ± 1/2° THREE PLACE DECIMAL ± .005	DRAWN	4/5/2016		
DO NOT SCALE DRAWING	MATERIAL	CHECKED		DESC.	
		ENG APPR.		S:\CADDWGS\Solidworks\Tables\SJ\	
		MFG APPR.		SIZE	PART NO.
		Last Saved	4/5/2016 11:21:42 AM	B	4SJCF
		COMMENTS:			REV
	SHEET 2 OF 2				

Confidential Drawing and Information
is Not to be Copied or Disclosed to Others
Without the Consent of Kay Industries.
Specifications Are Subject to Change
Without Notice.