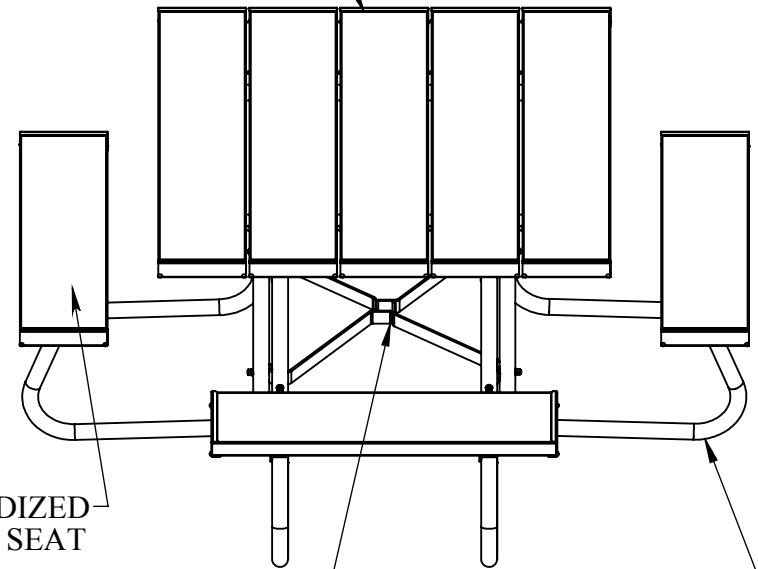


2"x 10" ANODIZED ALUMINUM TOP PLANKS



2"x 10" ANODIZED ALUMINUM SEAT PLANKS

CENTER SPIDER IS GALVANIZED

LEGS ARE GALVANIZED 1 5/8" OD SCHEDULE 10 PIPE

CONFIDENTIAL DRAWING AND INFORMATION IS NOT TO BE COPIED OR DISCLOSED TO OTHERS WITHOUT THE CONSENT OF KAY PARK. SPECIFICATIONS ARE SUBJECT TO CHANGE WITHOUT NOTICE.

GENERAL NOTES:

UNLESS OTHERWISE SPECIFIED:

DIMENSIONS ARE IN INCHES  
TOLERANCES:  
FRACTIONAL ± 1/32  
BEND ± 1/2°  
THREE PLACE DECIMAL ± .005

DO NOT SCALE DRAWING

MATERIAL

Sheet 1 of 1

NAME

DATE



Kay Park Rec

DRAWN

DAT

9/3/2014

TITLE:

CHECKED

ENG APPR.

MFG APPR.

DESC.

48" SQUARE TABLE COATED LEGS ALUMINUM TOP & SEATS

LAST SAVED

1/28/2016 2:59:53 PM

S:\CADDRWGS\Solidworks\Tables\SJ\

COMMENTS:

SIZE

A

PART NO.

4SJGA

REV