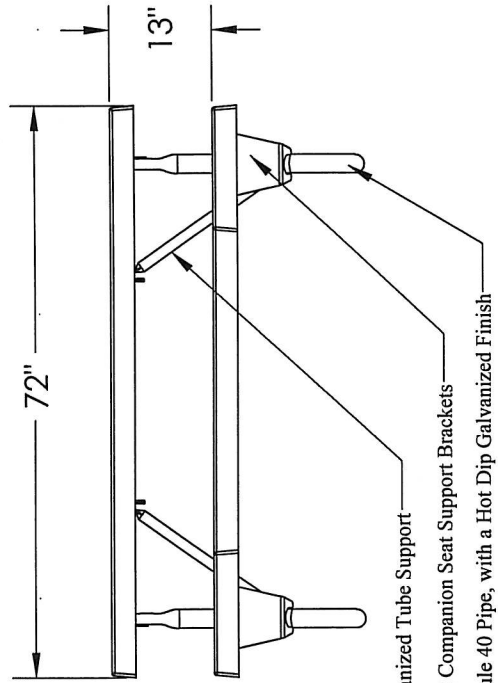
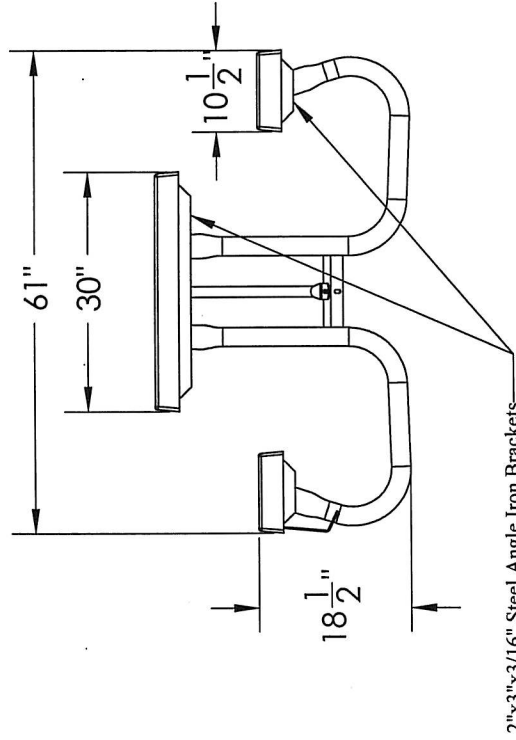
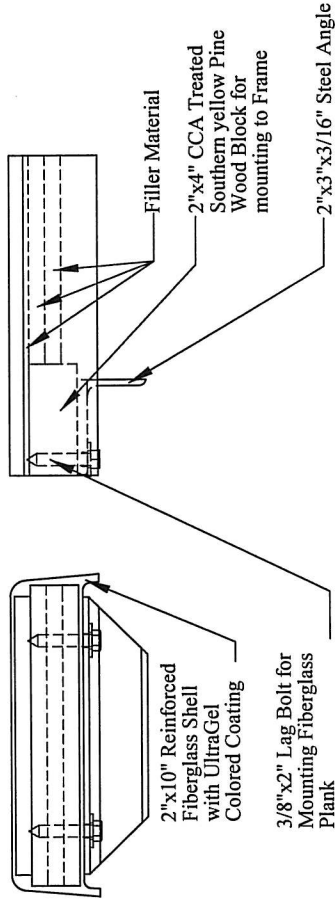


Section View of Fiberglass Construction Seat Shown



Notes: This Drawing and all information contained herein is the property of Kay Park Rec. and is not to be reproduced without express written permission. Kay Park Rec. assumes no responsibility for unauthorized use of this drawing. Kay Park Rec. is not responsible for local permits and occupancy requirements.

Spec Drawing Model #: 6J2GF5WC
Description: 6 Foot Table With Galvanized J-2 Legs, Fiberglass Seats and Top with a Side Handicap Cutout

Kay Park-Rec Corp.
 1301 Pine Street
 Janesville, IA 50647
 1-800-553-2476
 WWW.KAYPARK.COM

Initials	Date
Created:	1/10/2011
Saved:	1/11/2011

S:\CADDRAWGS\Solidworks\Tables\Spec Drawings\