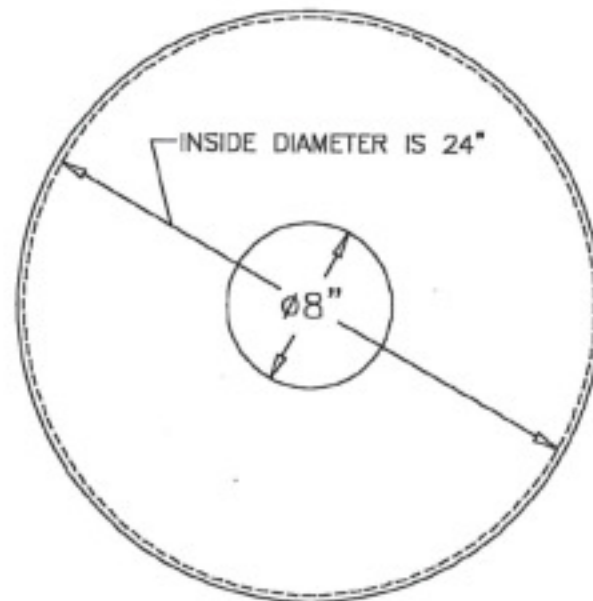
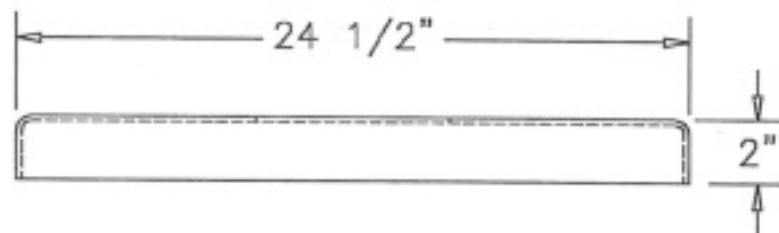


16" Center Hole Also Available



THE FLATTOP32 IS MADE OUT OF 11GA METAL WITH A 1/8" X 2" BORDER WITH AN 8"Ø HOLE IN THE CENTER. IT IS THEN HOT DIPPED IN PLASTISOL COATING.

KAY PARK REC. CORP.
1301 Pine Street
P.O. Box 477
Janesville, IA 50647-0477

FSK 8 or FSK 16 - 32

FLAT LID FOR TR32

By: ADAM KAWA Chg: Date:

Scale: NTS
Date: 2-24-99
Drawing #: