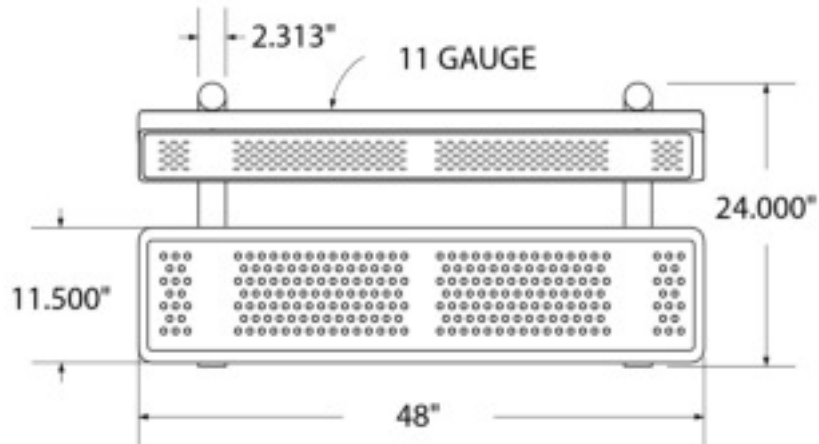




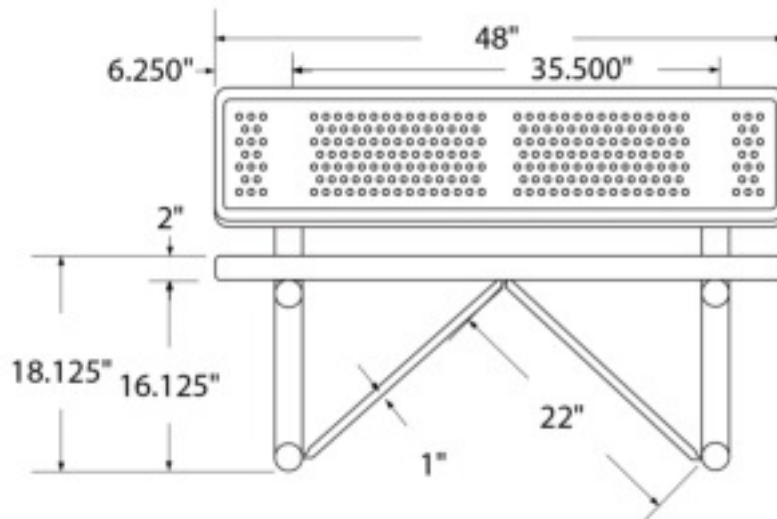
Product: 4' Portable Bench w/Back
Model: PSPB4TPP
Weight: 155 Lbs
Material: Perforated Steel



top view



front



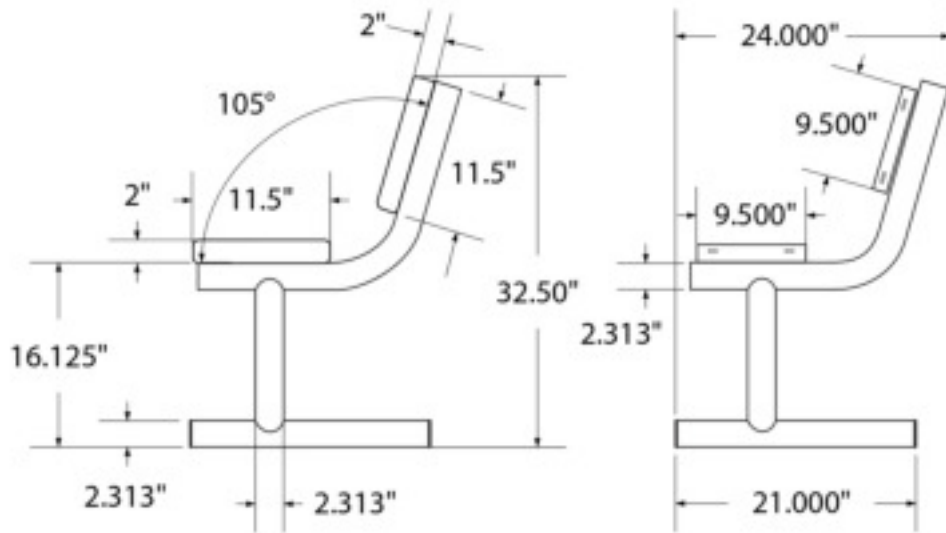
Kay Park Recreation

Making People Places, People Friendly Since 1954!

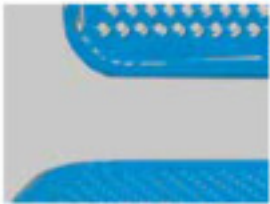
Email us: sales@kaypark.com or Call us: (800)553-2476

1301 Pine St. Janesville, IA 50647

side view



product finish



The functional surfaces of our furniture are covered in a copolymer-based thermoplastic powder coating. Thermoplastic is environmentally safe, the coating will never fade, crack, peel, warp, or discolor for the life of the product. Thermoplastic is applied at a thickness of 25-30 mils.



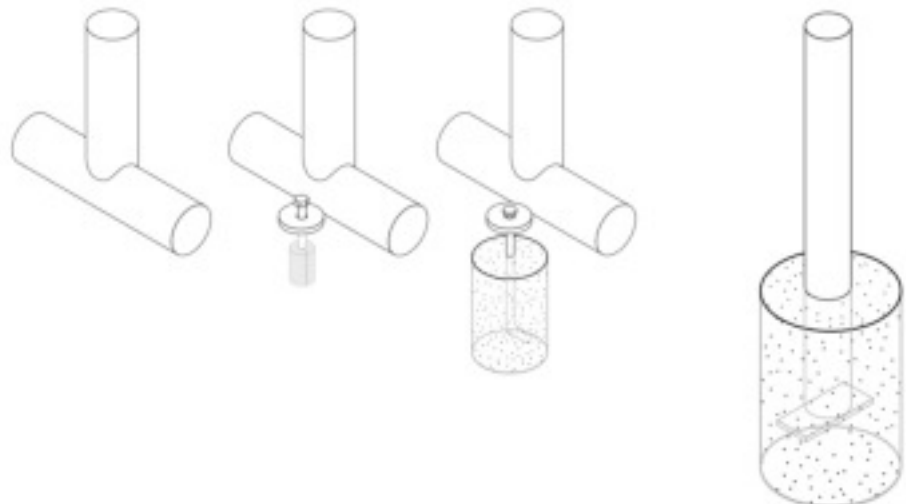
Tubular legs and understructure parts are made from galvanized steel and are finished with black polyester powder coating.

mounting types

P = Portable : no mount

SM = Surface Mount:
concrete anchors
through discs welded
to legs

IG= In-Ground:
J-rods set in concrete
through discs welded
to legs



PORTABLE SURFACE MOUNT IN-GROUND IN-GROUND



Kay Park Recreation

Making People Places, People Friendly Since 1954!

Email us: sales@kaypark.com or Call us: (800)553-2476

1301 Pine St. Janesville, IA 50647