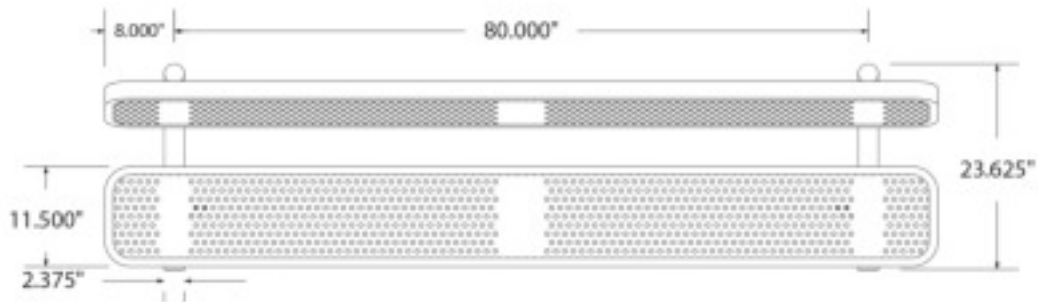




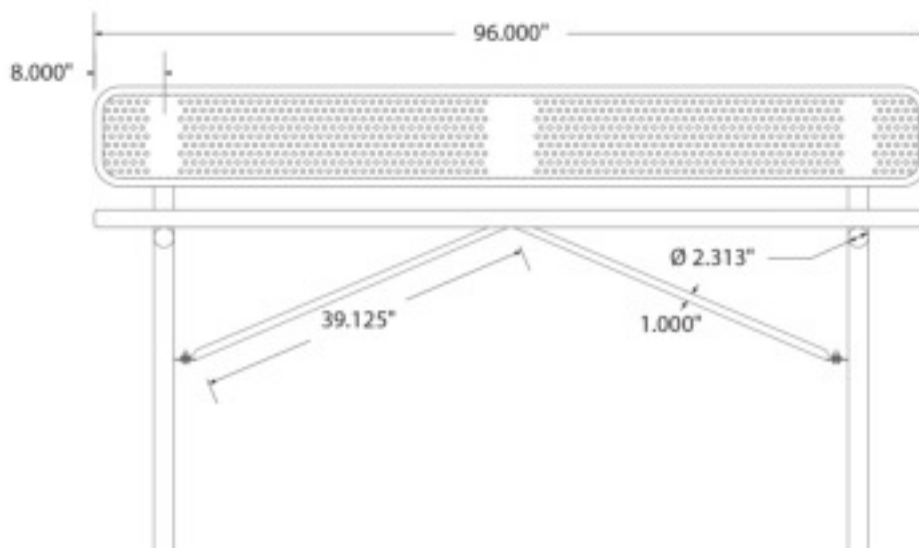
**Product: 8' In-Ground  
Bench w/Back**  
**Model: PSPB8TPIG**  
**Weight: 190 Lbs**  
**Material: Perforated Steel**



**top view**

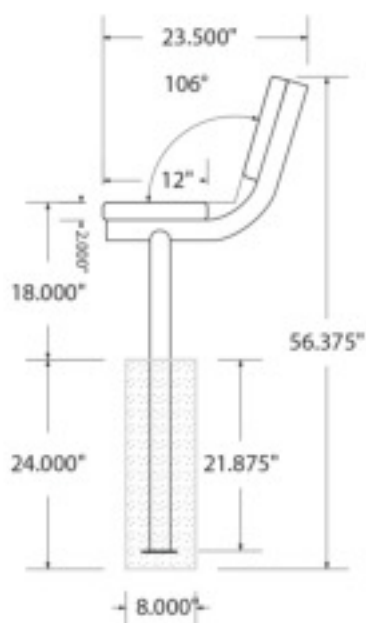


**front**



**Kay Park Recreation**  
**Making People Places, People Friendly Since 1954!**  
Email us: [sales@kaypark.com](mailto:sales@kaypark.com) or Call us: (800)553-2476  
1301 Pine St. Janesville, IA 50647

## side view



## product finish



The functional surfaces of our furniture are covered in a copolymer-based thermoplastic powder coating. Thermoplastic is environmentally safe, the coating will never fade, crack, peel, warp, or discolor for the life of the product. Thermoplastic is applied at a thickness of 25-30 mils.



Tubular legs and understructure parts are made from galvanized steel and are finished with black polyester powder coating.

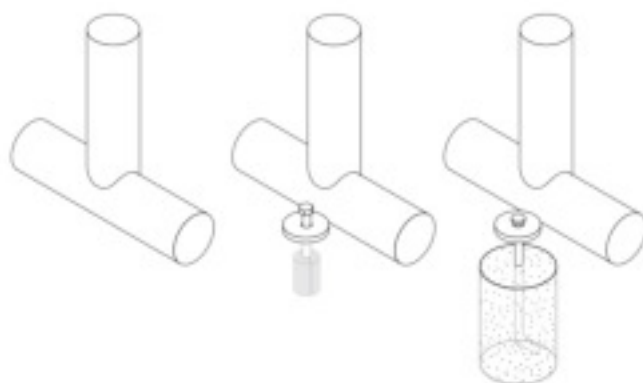
## mounting types

P = Portable : no mount

SM = Surface Mount:  
concrete anchors  
through discs welded  
to legs

IG= In-Ground:  
J-rods set in concrete  
through discs welded  
to legs

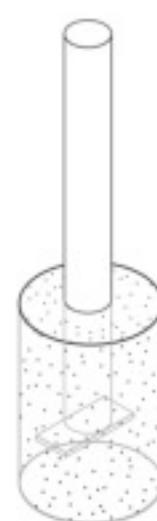
IG= In-Ground  
2nd option extra  
long legs



PORTABLE

SURFACE MOUNT

IN-GROUND



IN-GROUND



**Kay Park Recreation**

**Making People Places, People Friendly Since 1954!**

Email us: [sales@kaypark.com](mailto:sales@kaypark.com) or Call us: (800)553-2476

1301 Pine St. Janesville, IA 50647