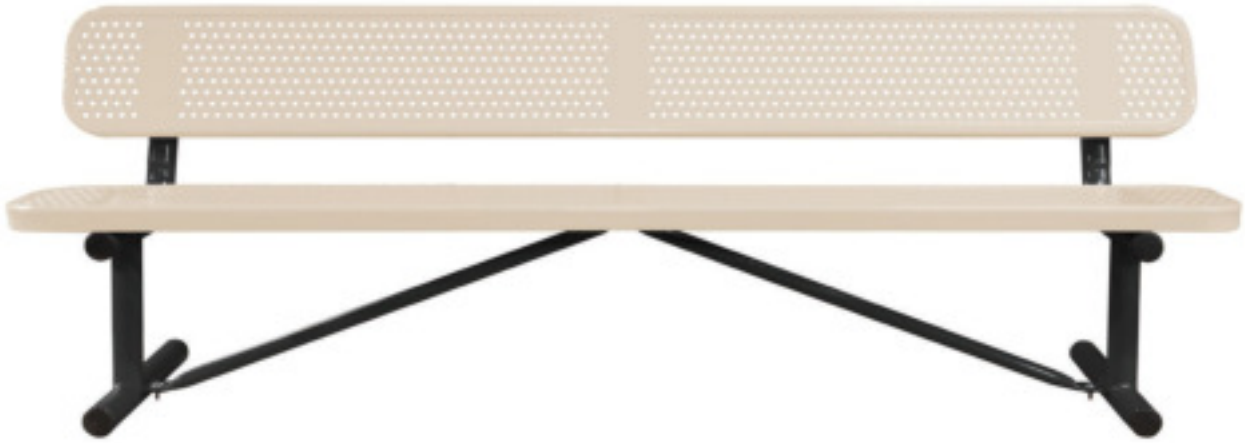
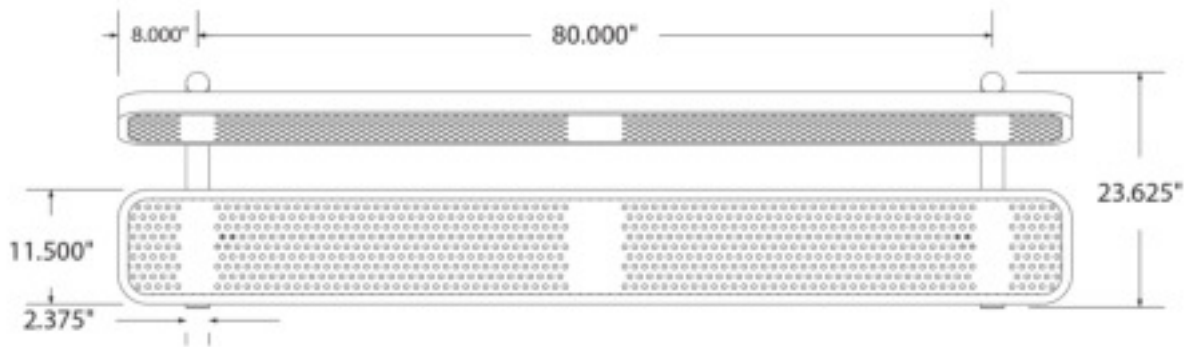




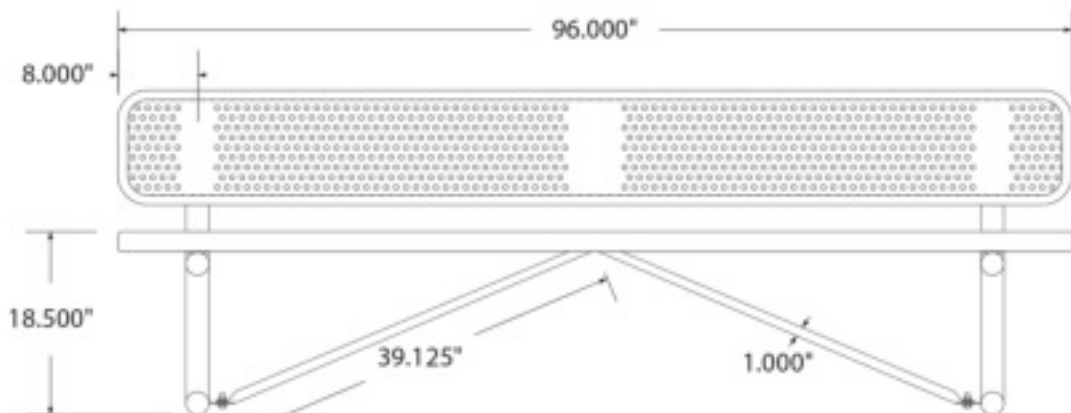
**Product: 8' Portable
Bench w/Back**
Model: PSPB8TPP
Weight: 190 Lbs
Material: Perforated Steel



top view

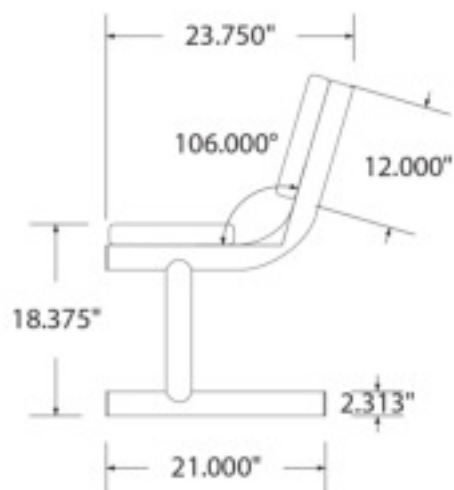


front



Kay Park Recreation
Making People Places, People Friendly Since 1954!
Email us: sales@kaypark.com or Call us: (800)553-2476
1301 Pine St. Janesville, IA 50647

side view



product finish



The functional surfaces of our furniture are covered in a copolymer-based thermoplastic powder coating. Thermoplastic is environmentally safe, the coating will never fade, crack, peel, warp, or discolor for the life of the product. Thermoplastic is applied at a thickness of 25-30 mils.



Tubular legs and understructure parts are made from galvanized steel and are finished with black polyester powder coating.

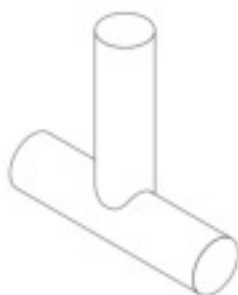
mounting types

P = Portable : no mount

SM = Surface Mount:
concrete anchors
through discs welded
to legs

IG= In-Ground:
J-rods set in concrete
through discs welded
to legs

IG=In-Ground
extra log legs



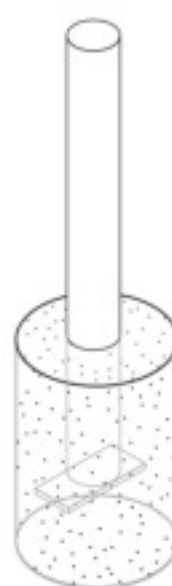
PORTABLE



SURFACE MOUNT



IN-GROUND



IN-GROUND



Kay Park Recreation

Making People Places, People Friendly Since 1954!

Email us: sales@kaypark.com or Call us: (800)553-2476

1301 Pine St. Janesville, IA 50647