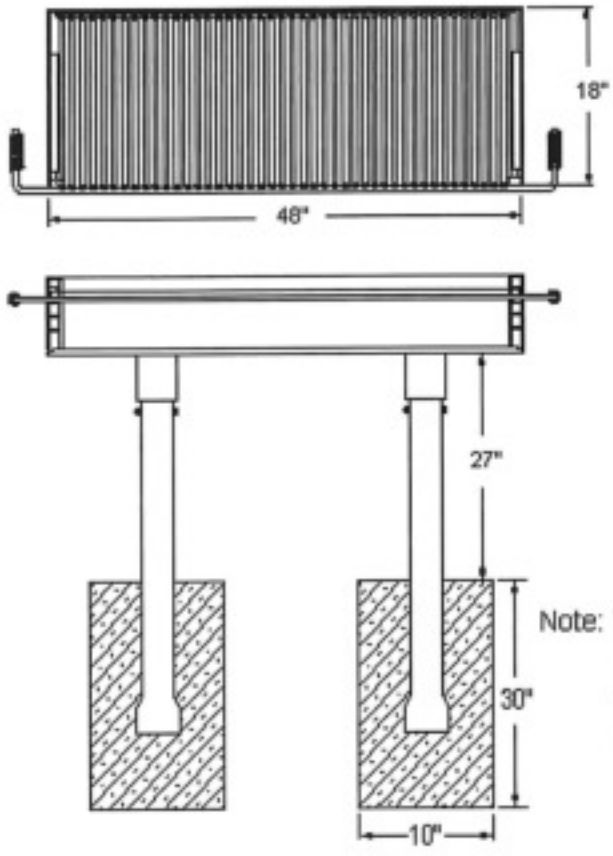


ASSEMBLY DRAWING

KAY PARK REC. CORP. --- JANESVILLE IA. 50647

MODEL #: XB16



XB-16

Note: The size of the footing is only a suggestion. Your local soil conditions should determine what is necessary.