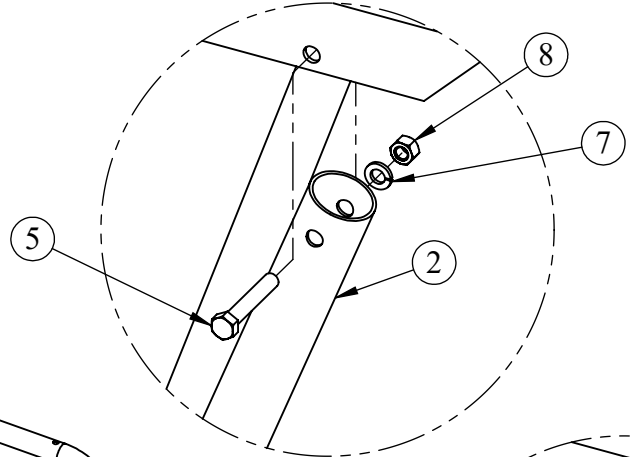
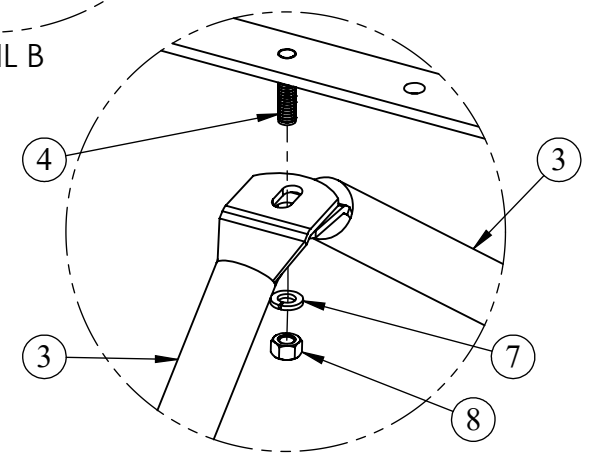
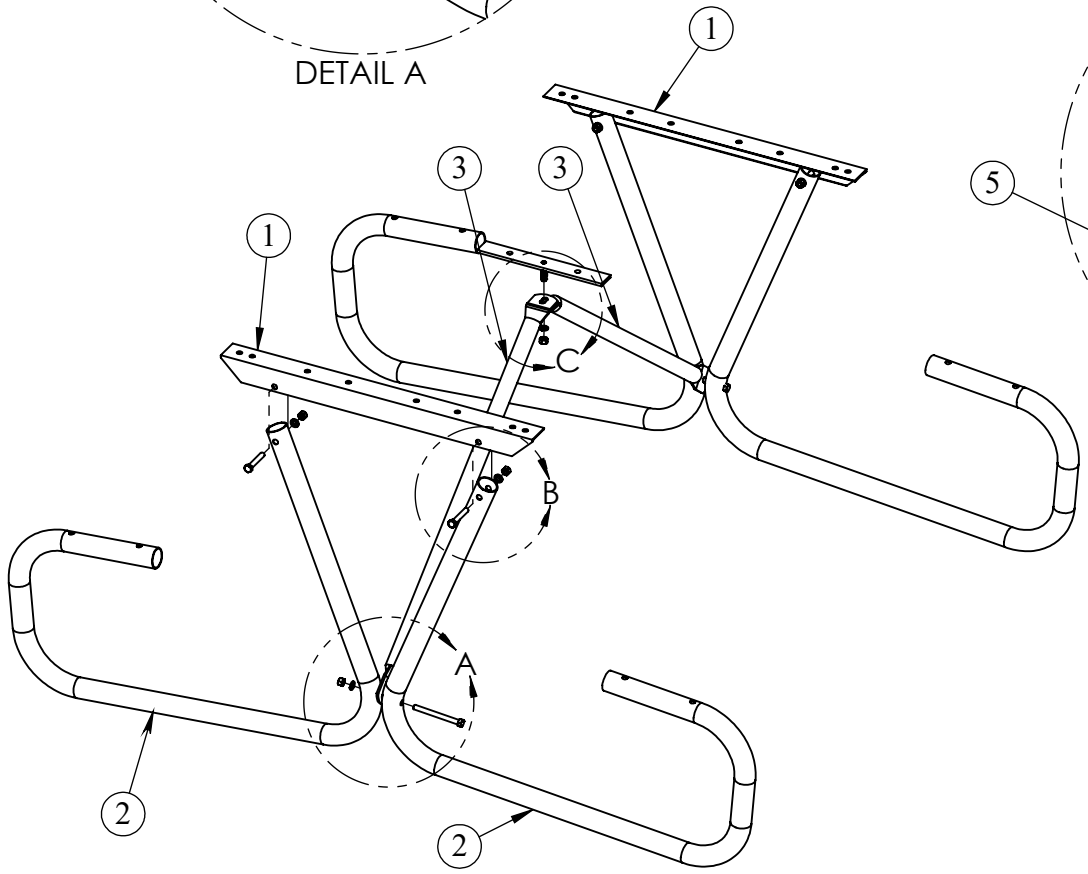


DETAIL A

ITEM NO.	PART NUMBER	DESCRIPTION	QTY.
1	IBG-2	BG and 2BG TOP CLEAT	2
2	BG-1	BG TABLE LEG 1 5/8" OD	4
3	BG-5	1 5/16" OD GALV TUBE .083 WALL	2
4	IPTA-6	CENTER SUPPORT CLEAT WITH STUD	1
5	HBOLT 0.3750-16x2.25x1-N	HBOLT 0.3750-16x2.25x1-N	4
6	HBOLT 0.3750-16x4x1-N		2
7	Regular LW 0.375	LOCK WASHER 3/8"	7
8	HNUIT 0.3750-16-D-N	HEX NUT 3/8"-16	7



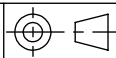
DETAIL B



DETAIL C

GENERAL NOTES

DIMENSIONS ARE IN INCHES
TOLERANCES: LINEAR: ± 1/16
ANGULAR: ± 1°



SHEET SIZE
A

SCALE
1:15

REV



Kay Park Rec.

CONFIDENTIAL DRAWING.
INFORMATION IS NOT TO BE COPIED OR
DISCLOSED TO OTHERS WITHOUT
CONSENT OF KAY INDUSTRIES.
SPECIFICATIONS SUBJECT TO CHANGE
WITHOUT NOTICE.

DRAWN BY
JNB

SCALE
1:15

REV
1/29/2016

DESC: 6 FT ALUMINUM TABLE GALVANIZED

APPROVED

MATL:

LAST SAVED
johnb

SCALE
1:15

REV
5/31/2017

PART NO: 6BGA

PLANK INSTALLATION:

There are two different kinds of planks. Be sure to have these separated out and identified before you begin assembly.

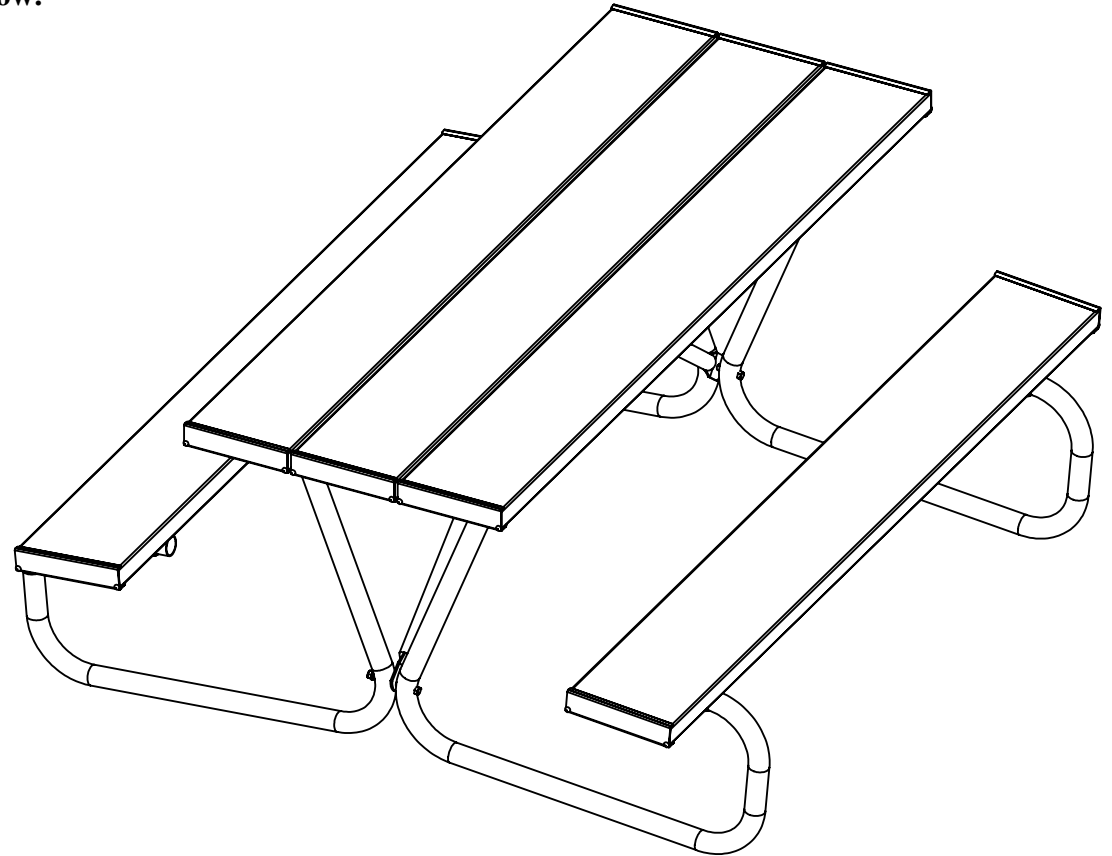
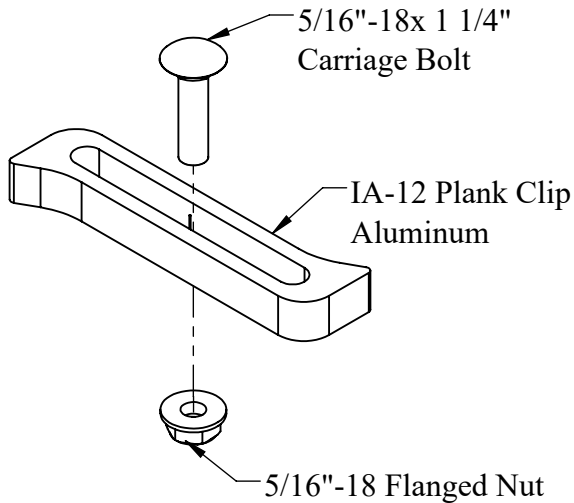
a. Anodized 2" x 10" seat plank (it has a dull finish that does not leave a mark when rubbed).

b. Mill finish 2" x 10" foot plank and walkway plank (it has a shinier finish that leaves a black mark when rubbed with your finger or thumb)

Put a hold down clip on each hole of the seat brackets and foot board supports using 5/16"x 1-1/4" carriage bolt, flange nuts. Keep the long way of the clip parallel with the length of the bleacher (or perpendicular to the frames). Place the mill finish foot planks over the clips starting on the foot angles.

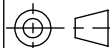
Do not tighten all of the clips yet. Only tighten the clips on the ends at this point. The planks should overhang the seating frames by about 17" on each side.

Once all the planks are in place you can tighten all the planks now.



GENERAL NOTES

DIMENSIONS ARE IN INCHES
TOLERANCES: LINEAR: ± 1/16
ANGULAR: ± 1°



SHEET SIZE

A

SCALE

1:15

REV



Kay Park Rec.

CONFIDENTIAL DRAWING.
INFORMATION IS NOT TO BE COPIED OR
DISCLOSED TO OTHERS WITHOUT
CONSENT OF KAY INDUSTRIES.
SPECIFICATIONS SUBJECT TO CHANGE
WITHOUT NOTICE.

DRAWN BY

JNB

1/29/2016

DESC:

6 FT ALUMINUM TABLE GALVANIZED 6' BG TABLE

APPROVED

MATL:

LAST SAVED

johnb

5/31/2017

PART NO: 6BGA