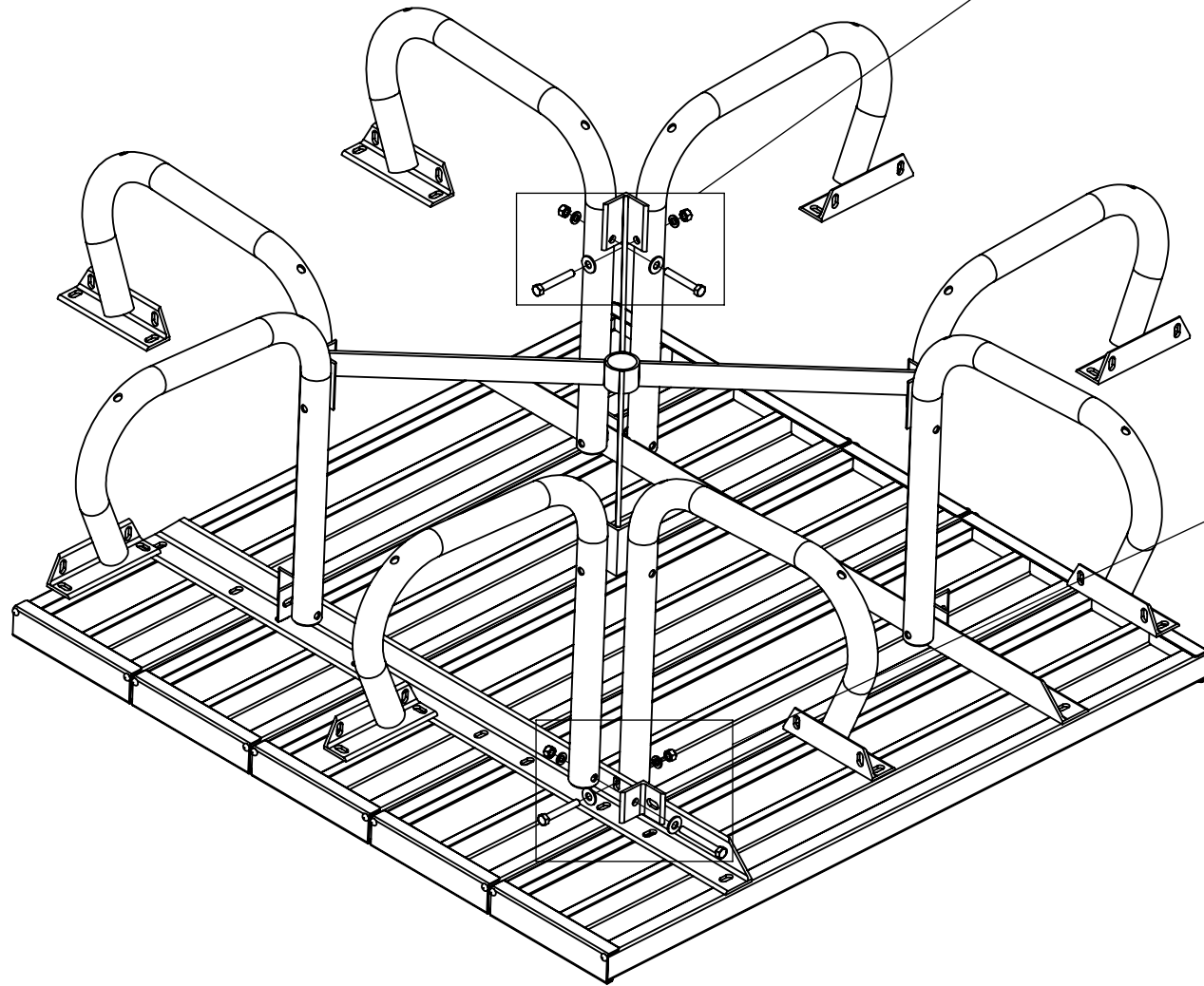
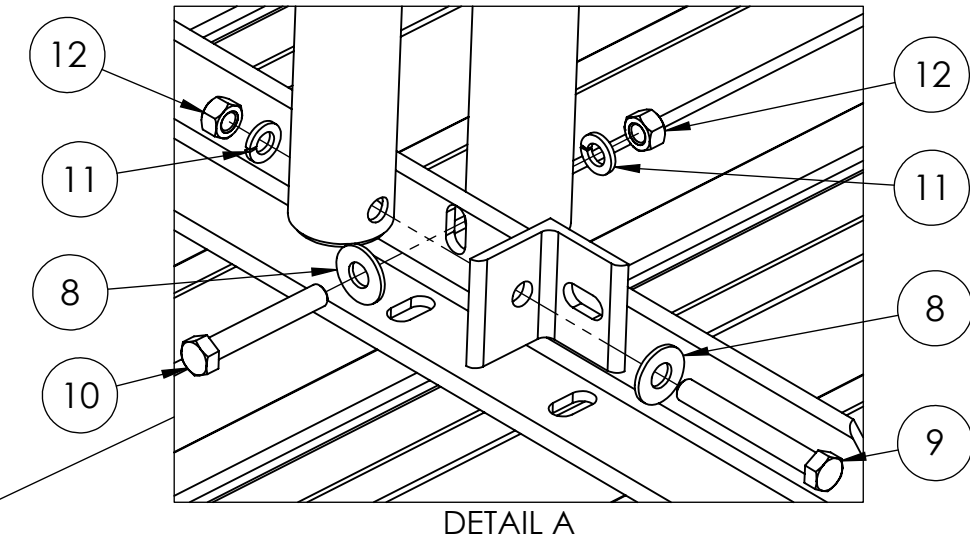
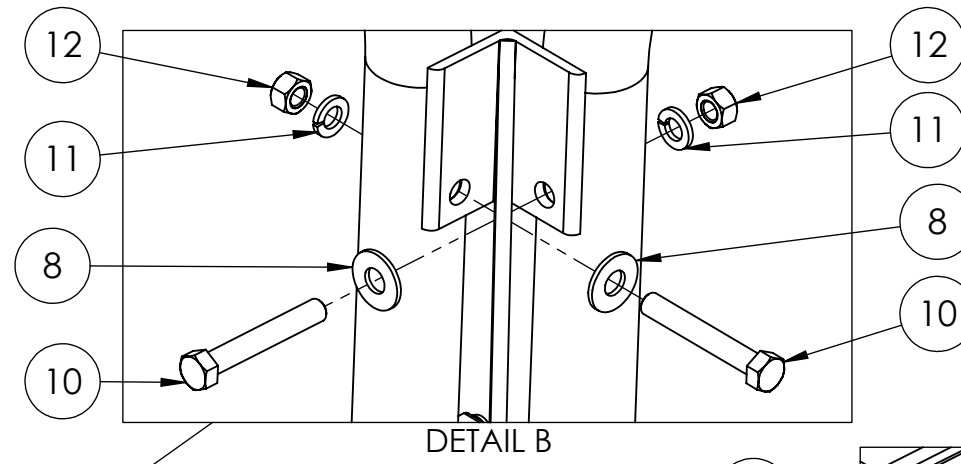



ITEM NO.	PART NUMBER	DESCRIPTION	QTY.
1	SQ-SA2 (Rev 1)	SQ SPIDER SUB ASSY	1
2	SQ-66	SQ. TOP ATTACHMENT ANGLE	4
3	RTRT-SA1	RTRT LEG ASSEMBLY	8
4	SQAW-2	TOP TABLE CLEAT	2
5	4SQA-7	4' 2"x 4" ANODIZED TABLE TOP PLANK	5
6	IA-10	ALUM 2x10 END CAPS 9 1/8"	10
7	DRIVES-3/4	DRIVE SCREW 3/4"	20
8	Preferred Wide FW 0.375	FLAT WASHER 3/8" WIDE	4
9	HBOLT 0.3750-16x3x1-N	HEX HEAD BOLT 3/8"-16x 3"	1
10	HBOLT 0.3750-16x2.5x1-N	HEX HEAD BOLT 3/8"-16x 2 1/2"	3
11	Regular LW 0.375	LOCK WASHER 3/8"	4
12	HNUOT 0.3750-16-D-N	HEX NUT 3/8"-16	4

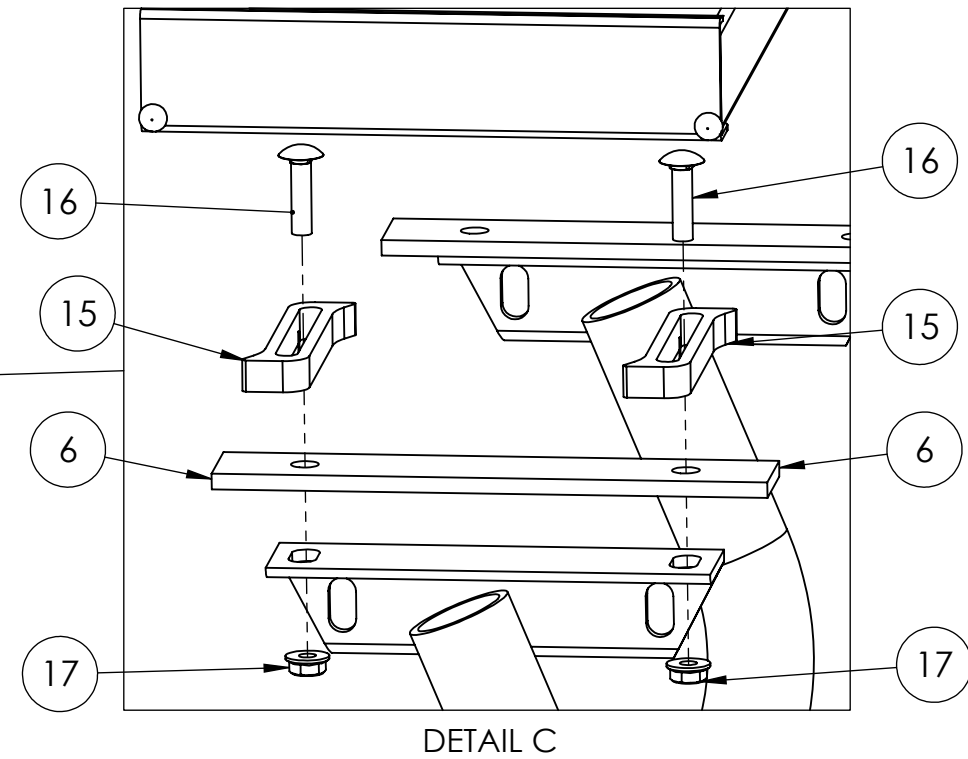
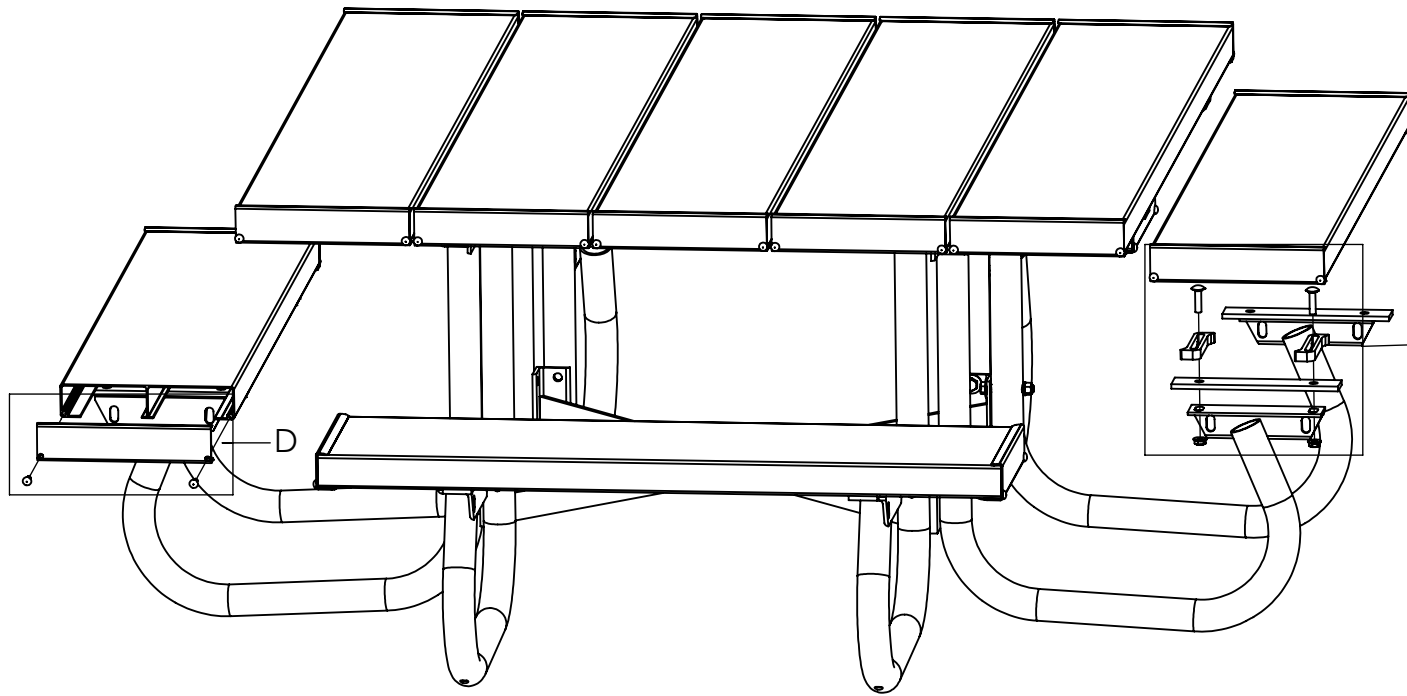
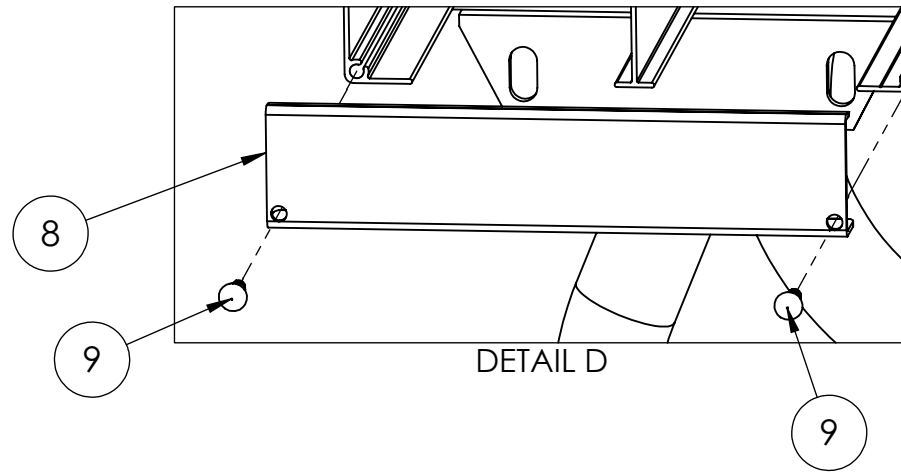


1. PLACE THE TABLE TOP USODE DOWN ON A RELATIVELY FLAT SURFACE SUCH AS CARD BOARD THE PRODUCT CAME IN
2. ASSEMBLE THE TABLE LEGS AS SHOWN IN **DETAIL A**, MAKE SURE THE 3" HEX HEAD BOLT IS USED WHERE THE SLOTS LINE UP. FINGER TIGHTEN THE BOLTS AND NUTS AT THIS TIME
3. NEXT ATTACH THE SPIDER CROSS BRACING TO THE BOTTOM PART OF THE LEGS START WITH ONE CORNER USING THE 3/8"-16X 2 1/2" HEX HEAD BOLTS, WASHERS, LOCK WASHERS, AND NUTS. GO TO THE OPPOSITE CORNER AND INSERT THAT HARDWARE. DO THE SAME PROCEDURE ON THE OTHER SETS OF LEGS. AS SHOWN IN **DETAIL B**
4. TIGHTEN THE NUTS AND BOLTS THAT ARE CLOSE TO THE TABLE TOP FIRST, MAKE SURE THE LEGS ARE STRAIGHT UP AND DOWN. TIGHTEN ALL NUTS AND BOLTS ON THE CROSS BRACING NEXT
5. TURN THE TABLE RIGHT SIDE UP TO ATTACH THE SEATS TO THE SEAT BRACKETS SEE SHEET 3 FOR DETAILS.

GENERAL NOTES	DIMENSIONS ARE IN INCHES TOLERANCES: LINEAR: ± 1/16" ANGULAR: ± 1°	SHEET SIZE B	SCALE 1:10	REV		Kay Park Rec.
	CONFIDENTIAL DRAWING. INFORMATION IS NOT TO BE COPIED OR DISCLOSED TO OTHERS WITHOUT CONSENT OF KAY INDUSTRIES. SPECIFICATIONS SUBJECT TO CHANGE WITHOUT NOTICE.	DRAWN BY	JNB	6/19/2017	DESC:	CHILD SIZE SJ TABLE WITH ALUM. PLANKS
		APPROVED			MATL:	
		LAST SAVED	johnb	6/19/2017	PART NO: CS4SJCA	

ITEM NO.	PART NUMBER	DESCRIPTION	QTY.
1	SQ-SA2 (Rev 1)	SQ SPIDER SUB ASSY	1
2	SQ-66	SQ. TOP ATTACHMENT ANGLE	4
3	RTRT-SA1	RTRT LEG ASSEMBLY	8
4	SQAW-2	TOP TABLE CLEAT	2
5	3SQA-7	3' 2"x 10" ANODIZED SEAT PLANK	4
6	SQA-61	SQA Seat Adapter Plate	8
7	4SQA-7	4' 2"x 4" ANODIZED TABLE TOP PLANK	5
8	IA-10	ALUM 2x10 END CAPS 9 1/8"	18
9	DRIVES-3/4	DRIVE SCREW 3/4"	36
10	Preferred Wide FW 0.375	FLAT WASHER 3/8" WIDE	4
11	HBOLT 0.3750-16x3x1-N	HEX HEAD BOLT 3/8"-16x 3"	1
12	HBOLT 0.3750-16x2.5x1-N	HEX HEAD BOLT 3/8"-16x 2 1/2"	3
13	Regular LW 0.375	LOCK WASHER 3/8"	4
14	HNUT 0.3750-16-D-N	HEX NUT 3/8"-16	4
15	IA-12	Aluminum 2" x 10" Plank Clip	2
16	RHSSNBOLT 0.3125-18x1.25x1.25-N	CARRIAGE BOLT 5/16"-18x 1 1/4"	2
17	NUT-5/16-18 Flanged Nut	5/16"-18 FLANGED HEX NUT	2

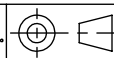
NOTE:
ALL SEAT PLANKS ARE ATTACHED USING THE HARDWARE SHOWN IN DETAIL C. THE TOP PLANKS ARE ATTACHED WITH THE SAME HARDWARE MINUS THE ADAPTER PLATE(6).



GENERAL NOTES

CONFIDENTIAL DRAWING.
INFORMATION IS NOT TO BE COPIED OR DISCLOSED TO OTHERS WITHOUT CONSENT OF KAY INDUSTRIES.
SPECIFICATIONS SUBJECT TO CHANGE WITHOUT NOTICE.

DIMENSIONS ARE IN INCHES
TOLERANCES: LINEAR: ± 1/16
ANGULAR: ± 1°



SHEET SIZE
B

SCALE
1:10

REV



Kay Park Rec.
CHILD SIZE SJ TABLE WITH ALUM. PLANKS

DRAWN BY
JNB

6/19/2017

DESC:

APPROVED

MATL:

LAST SAVED

johnb

6/19/2017

PART NO: CS4SJCA