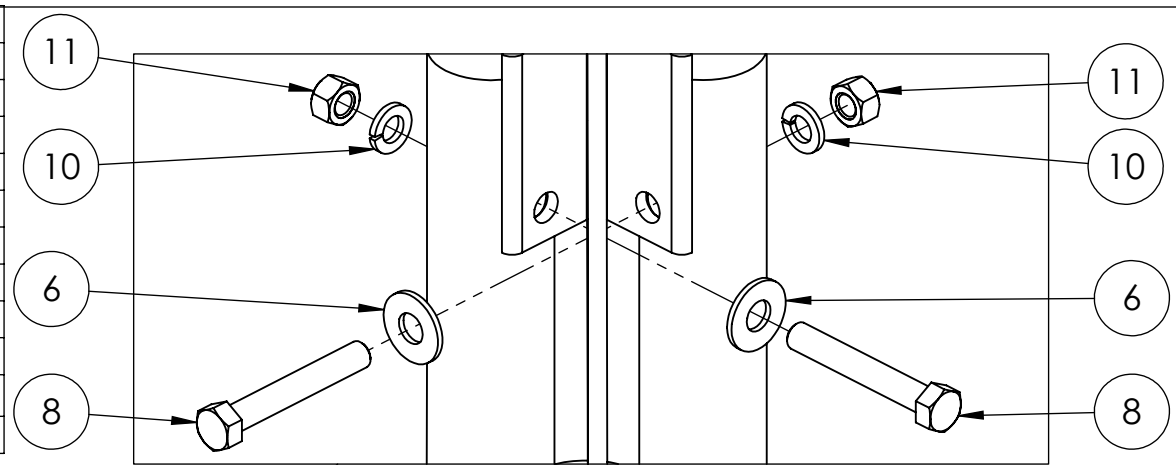
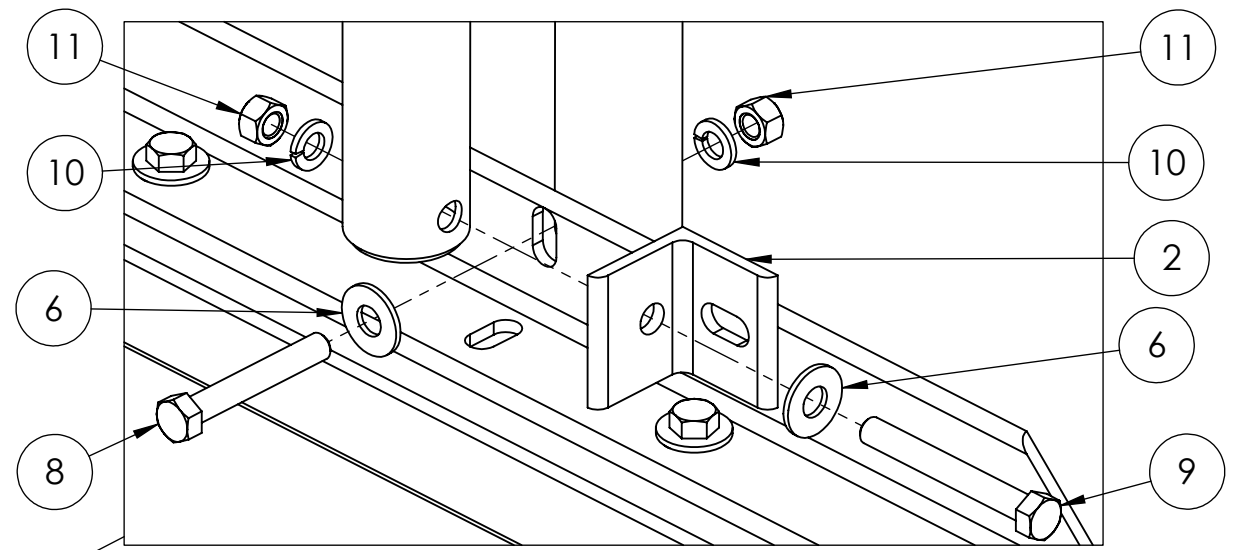


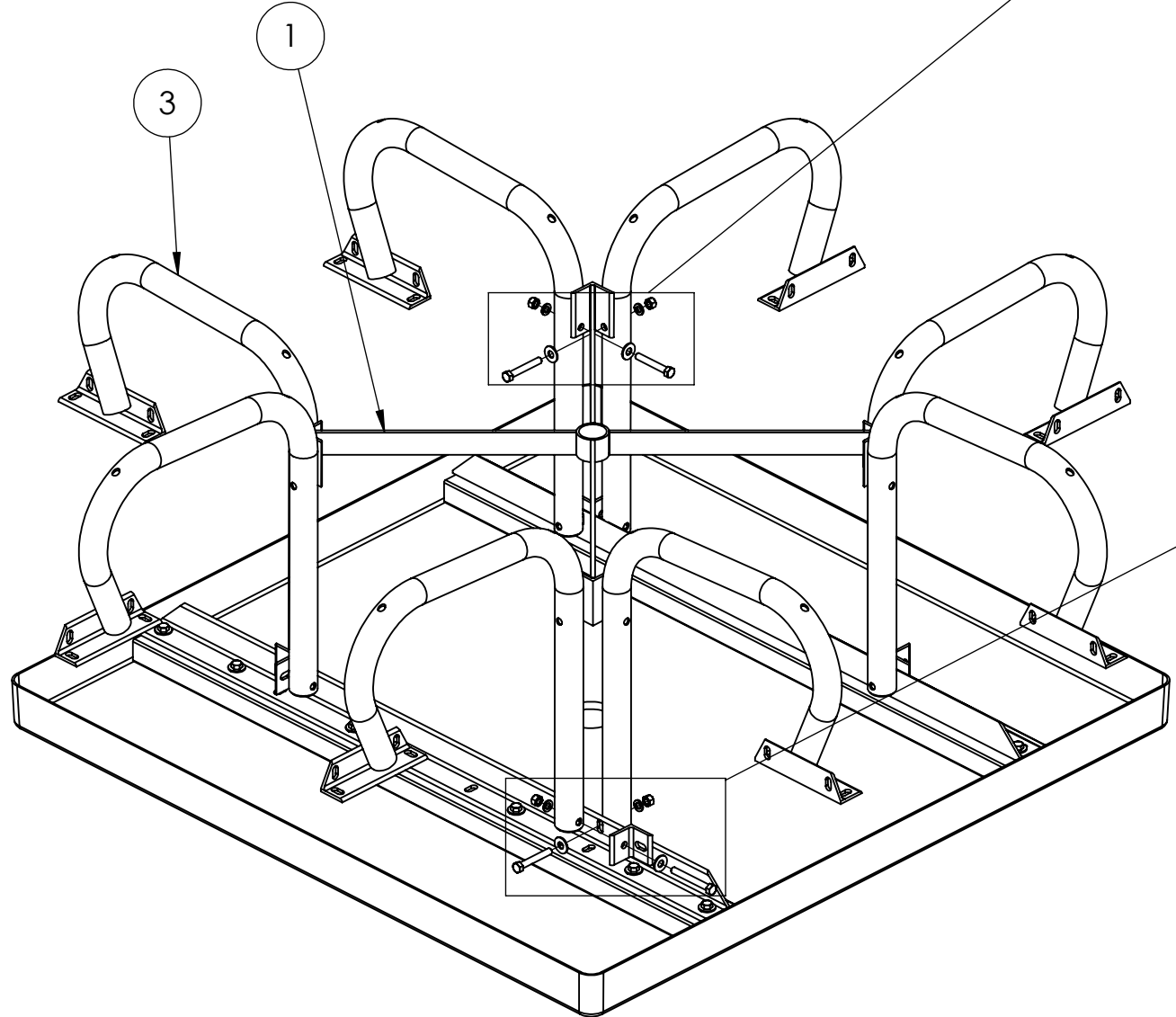
ITEM NO.	PART NUMBER	DESCRIPTION	QTY.
1	SQ-SA2 (Rev 1)	SQ SPIDER SUB ASSY	1
2	SQ-66	SQ. TOP ATTACHMENT ANGLE	4
3	RTRT-SA1	RTRT LEG ASSEMBLY	8
4	SQAW-2	TOP TABLE CLEAT	2
5	4SQF-9	48" x 48" SQUARE FIBERGLASS TOP	1
6	Preferred Wide FW 0.375	FLAT WASHER 3/8" WIDE	16
7	HLSCREW 0.3750x2	3/8" HEX HEADx 2" LAG SCREW	12
8	HBOLT 0.3750-16x2.5x1-N	HEX HEAD BOLT 3/8"-16x 2 1/2"	3
9	HBOLT 0.3750-16x3x1-N	HEX HEAD BOLT 3/8"-16x 3"	1
10	Regular LW 0.375	LOCK WASHER 3/8"	4
11	HNUT 0.3750-16-D-N	HEX NUT 3/8"-16	4



DETAIL B



DETAIL A

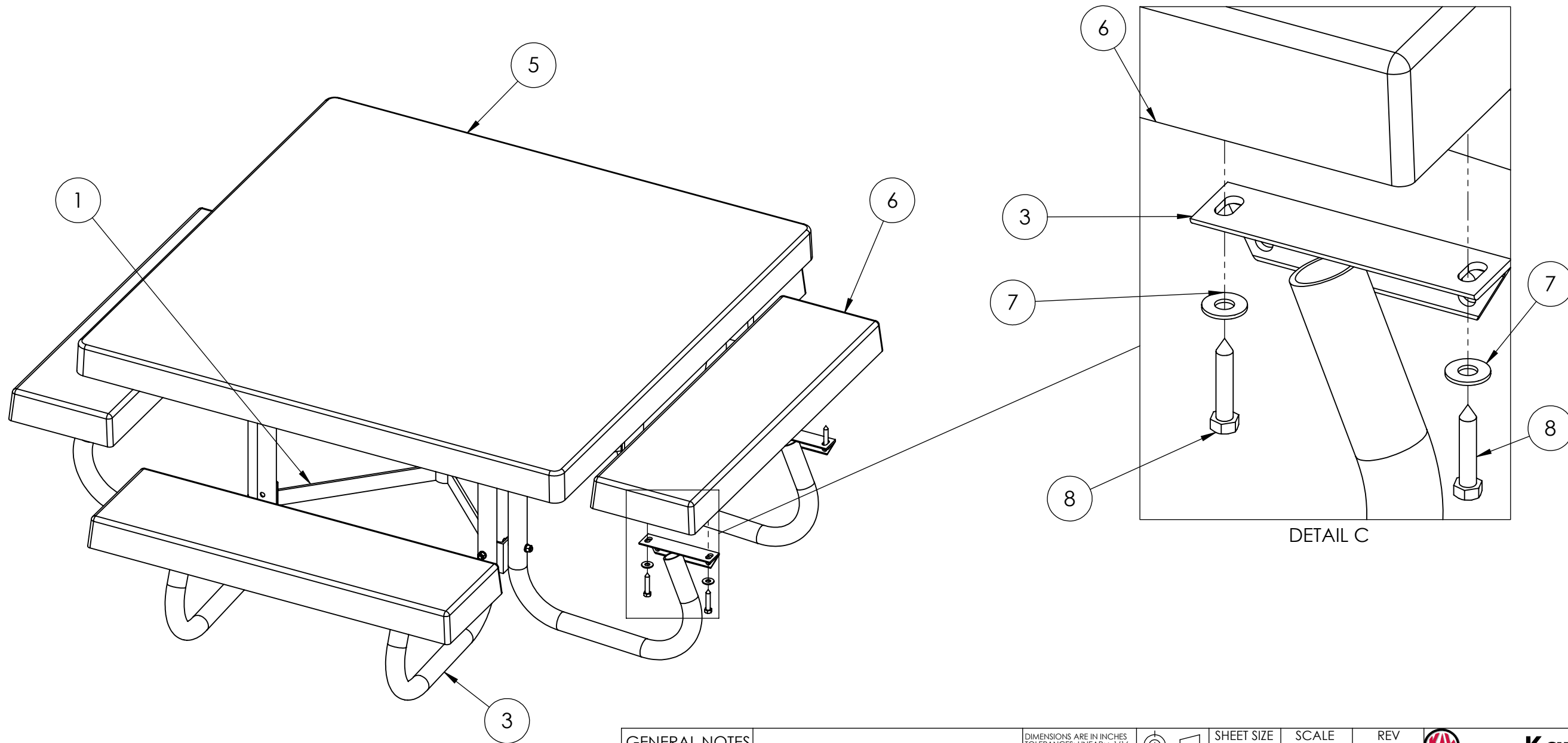


1. PLACE THE TABLE TOP USODE DOWN ON A RELATIVELY FLAT SURFACE SUCH AS CARD BOARD THE PRODUCT CAME IN
2. ASSEMBLE THE TABLE LEGS AS SHOWN IN **DETAIL A**, MAKE SURE THE 3" HEX HEAD BOLT IS USED WHERE THE SLOTS LINE UP. FINGER TIGHTEN THE BOLTS AND NUTS AT THIS TIME
3. NEXT ATTACH THE SPIDER CROSS BRACING TO THE BOTTOM PART OF THE LEGS START WITH ONE CORNER USING THE 3/8"-16X 2 1/2" HEX HEAD BOLTS, WASHERS, LOCK WASHERS, AND NUTS. GO TO THE OPPOSITE CORNER AND INSERT THAT HARDWARE. DO THE SAME PROCEDURE ON THE OTHER SETS OF LEGS. AS SHOWN IN **DETAIL B**
4. TIGHTEN THE NUTS AND BOLTS THAT ARE CLOSE TO THE TABLE TOP FIRST, MAKE SURE THE LEGS ARE STRAIGHT UP AND DOWN. TIGHTEN ALL NUTS AND BOLTS ON THE CROSS BRACING NEXT
5. TURN THE TABLE RIGHT SIDE UP TO ATTACH THE SEATS TO THE SEAT BRACKETS SEE SHEET 3 FOR DETAILS.

GENERAL NOTES	DIMENSIONS ARE IN INCHES TOLERANCES: LINEAR: ± 1/16 ANGULAR: ± 1°	SHEET SIZE B	SCALE 1:10	REV		Kay Park Rec.
	CONFIDENTIAL DRAWING. INFORMATION IS NOT TO BE COPIED OR DISCLOSED TO OTHERS WITHOUT CONSENT OF KAY INDUSTRIES. SPECIFICATIONS SUBJECT TO CHANGE WITHOUT NOTICE.	DRAWN BY	JNB	6/19/2017	DESC:	CHILD SIZE SJ TABLE W/ FIBERGLASS SEAT/ TOP
		APPROVED			MATL:	
		LAST SAVED	johnb	6/19/2017	PART NO: CS4SJCF	

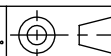
ITEM NO.	PART NUMBER	DESCRIPTION	QTY.
1	SQ-SA2 (Rev 1)	SQ SPIDER SUB ASSY	1
2	SQ-66	SQ. TOP ATTACHMENT ANGLE	4
3	RTRT-SA1	RTRT LEG ASSEMBLY	8
4	SQAW-2	TOP TABLE CLEAT	2
5	4SQF-9	48" x 48" SQUARE FIBERGLASS TOP	1
6	No Notch	3' FIBERGLASS SEAT	4
7	Preferred Wide FW 0.375	FLAT WASHER 3/8" WIDE	32
8	HLSCREW 0.3750x2	3/8" HEX HEADx 2" LAG SCREW	28
9	HBOLT 0.3750-16x2.5x1-N	HEX HEAD BOLT 3/8"-16x 2 1/2"	3
10	HBOLT 0.3750-16x3x1-N	HEX HEAD BOLT 3/8"-16x 3"	1
11	Regular LW 0.375	LOCK WASHER 3/8"	4
12	HNUT 0.3750-16-D-N	HEX NUT 3/8"-16	4

NOTE:
TOP AND SEATS ARE ATTACHED USING
THE HARDWARE SHOWN IN DETAIL C



GENERAL NOTES

DIMENSIONS ARE IN INCHES
TOLERANCES: LINEAR: ± 1/16
ANGULAR: ± 1°



SHEET SIZE
B

SCALE
1:10

REV



Kay Park Rec.

CONFIDENTIAL DRAWING.
INFORMATION IS NOT TO BE COPIED OR
DISCLOSED TO OTHERS WITHOUT
CONSENT OF KAY INDUSTRIES.
SPECIFICATIONS SUBJECT TO CHANGE
WITHOUT NOTICE.

DRAWN BY
APPROVED
LAST SAVED

JNB

johnb

6/19/2017

6/19/2017

DESC:
MATL:
PART NO:

CHILD SIZE SJ TABLE W/ FIBERGLASS SEAT/ TOP

CS4SJCF