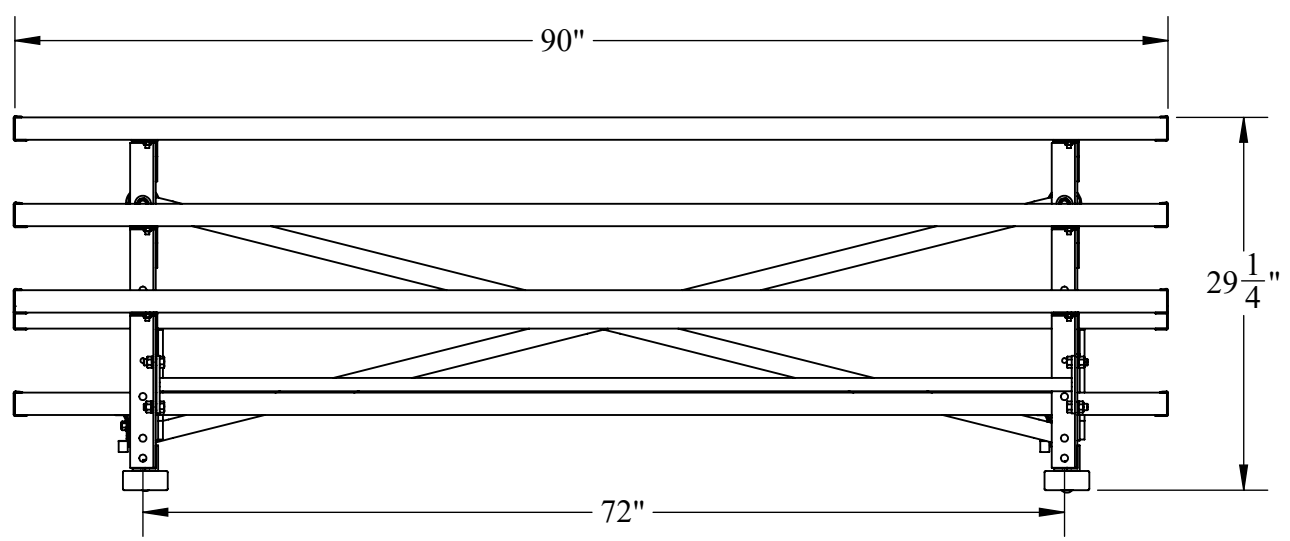
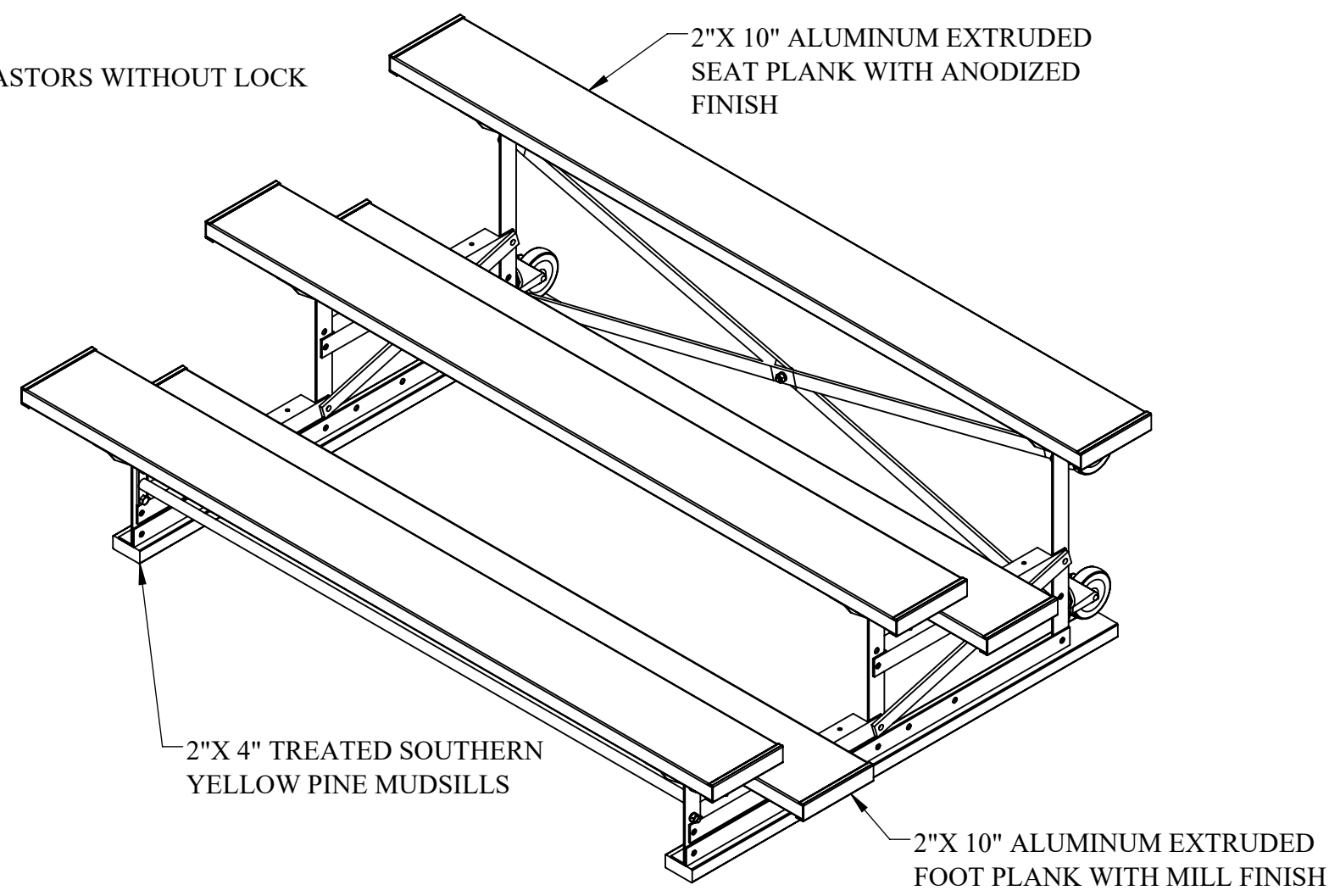


2 CASTORS WITH LOCK

2 CASTORS WITHOUT LOCK



WGT: 120 LBS

GENERAL NOTES	DIMENSIONS ARE IN INCHES TOLERANCES: LINEAR: ± 1/16 ANGULAR: ± 1°		SHEET SIZE B	SCALE 1:15	REV		Kay Park Rec.
	CONFIDENTIAL DRAWING. INFORMATION IS NOT TO BE COPIED OR DISCLOSED TO OTHERS WITHOUT CONSENT OF KAY INDUSTRIES. SPECIFICATIONS SUBJECT TO CHANGE WITHOUT NOTICE.	DRAWN BY	JNB	9/3/2015	DESC:	3 ROW 7.5' TIP AND ROLL	
		APPROVED			MATL:		
		LAST SAVED	johnb	5/30/2017	PART NO: BLA3A7.5TR		