



# KAY PARK RECREATION

MAKING PLACES PEOPLE FRIENDLY • **SINCE 1954**  
(800)553-2476 • sales@kaypark.com  
1301 Pine St. Janesville, IA 50647

## 8' Diamond Bench

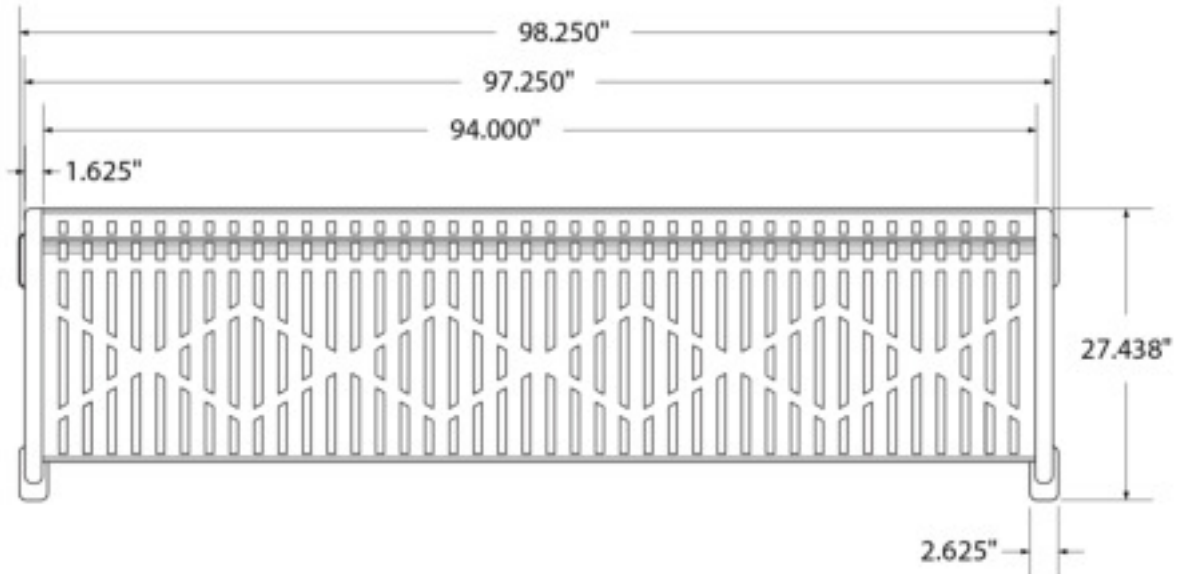
Model #: **PSDB8**

Weight: **300 Lbs**

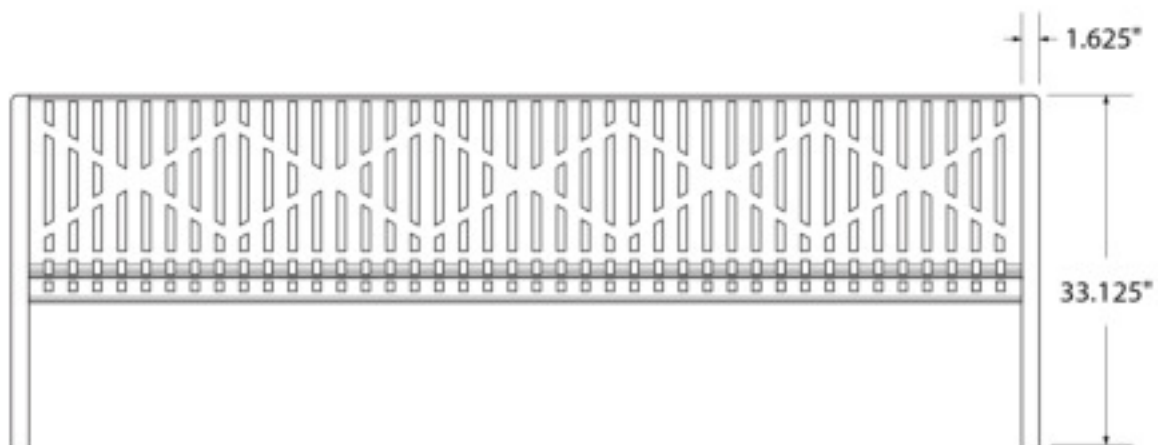
Material: **Perforated**



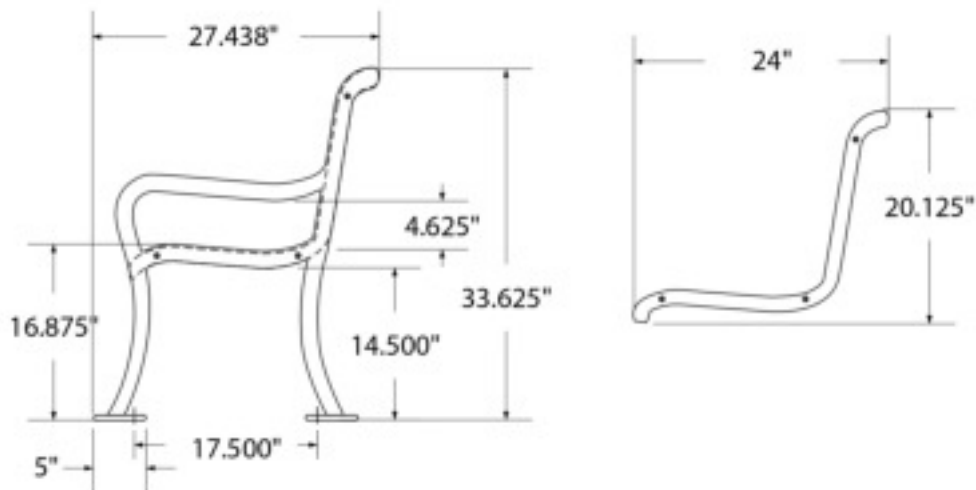
### top view



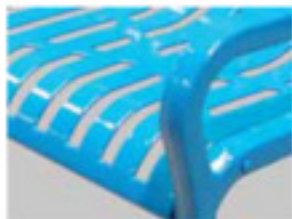
### front view



## side view



## product finish



The functional surfaces of our furniture are covered in a copolymer-based thermoplastic powder coating. Thermoplastic is environmentally safe, the coating will never fade, crack, peel, warp, or discolor for the life of the product. Thermoplastic is applied at a thickness of 25-30 mils.

## mounting types

P = Portable : no mount

SM = Surface Mount:  
concrete anchors  
through discs welded  
to legs

IG= In-Ground:  
J-rods set in concrete  
through discs welded  
to legs



PORTABLE



SURFACE MOUNT



IN-GROUND

All design specifics subject to change. For all products Leisure Craft reserves the right to make adjustments due to changing market conditions, product discontinuation, legislative requirements or other circumstances. © 2009 Leisure Craft, Inc.

(800)553-2476 • sales@kaypark.com • 1301 Pine St. Janesville, IA 50647

